



Fiberglass Construction Products

Warranty - Material

Hubbell Power Systems, Inc. warrants all products sold by it to be merchantable (as such term is defined in the Uniform Commercial Code) and to be free from defects in material and workmanship. Buyer must notify the Company promptly of any claim under this warranty. The Buyer's exclusive remedy for breach of this warranty shall be the repair or replacement, F.O.B. factory, at the Company's option, of any product defective under the warranty which is returned to the Company within one year from the date of shipment. NO OTHER WARRANTY, WHETHER EXPRESS OR ARISING BY OPERATION OF LAW, COURSE OF DEALING, USAGE OF TRADE OR OTHERWISE IMPLIED, SHALL EXIST IN CONNECTION WITH THE COMPANY'S PRODUCTS OR ANY SALE OR USE THEREOF. The Company shall in no event be liable for any loss of profits or any consequential or special damages incurred by Buyer. The Company's warranty shall run only to the first Buyer of a product from the Company, from the Company's distributor, or from an original equipment manufacturer reselling the Company's product, and is non-assignable and non-transferable and shall be of no force and effect if asserted by any person other than such first Buyer. This warranty applies only to the use of the product as intended by Seller and does not cover any misapplication or misuse of said product.

Warranty - Application

Hubbell Power Systems, Inc. does not warrant the accuracy of and results from product or system performance recommendations resulting from any engineering analysis or study. This applies regardless of whether a charge is made for the recommendation, or if it is provided free of charge.

Responsibility for selection of the proper product or application rests solely with the purchaser. In the event of errors or inaccuracies determined to be caused by Hubbell Power Systems, Inc., its liability will be limited to the re-performance of any such analysis or study.



NOTICE: For latest revision of our Catalog and Literature, please visit our web site: www.hubbellpowersystems.com

NOTE: Because Hubbell has a policy of continuous product improvement, we reserve the right to change design and specifications without notice.

©Copyright 2011 Hubbell Incorporated • 210 North Allen Street • Centralia, MO 65240 USA

www.hubbellpowersystems.com
E-mail: hpsliterature@hubbell.com

Fiberglass Construction Products

Standoff Brackets

With over 40 years of experience in manufacturing Epoxirod[®] Fiberglass Rod polymer insulation products, we are continually expanding our product line to include utility requested products. Our rod is tested extensively to assure its electrical integrity.

These armless construction configurations include various components, such as ductile iron and aluminum fittings, optional lead or plastisol threads.

Fiberglass units do not warp, split or shrink. They reduce the risk of pole fires due to tracking. All units are coated with a special ultraviolet-resistant polyurethane gray paint. They can also reduce the labor involved during installation, because they are shipped ready to install.



Guy Strains

Guy Strains may be installed anywhere along the guy wire to help protect against stray current that may be on the guy caused by lightning strikes or other sources. These fiberglass units serve as a replacement for porcelain insulators or johnny balls, and they extend the insulation length. Fiberglass guy strains offer numerous advantages, including variable lengths, easy terminations, and resistance to fracture caused by brittleness.

Chance Guy Strains use a veiled rod instead of a painted rod. The veiled rod achieves high ultraviolet resistance while protecting the rod from surface scratches that would remove paint from other types of guy strains. Our castings are crimped (not glued) onto the rod and sealed with silicon for moisture lock-out. Prevention of moisture penetration at the rod/casting interface enhances the performance and life span of the guy strain.

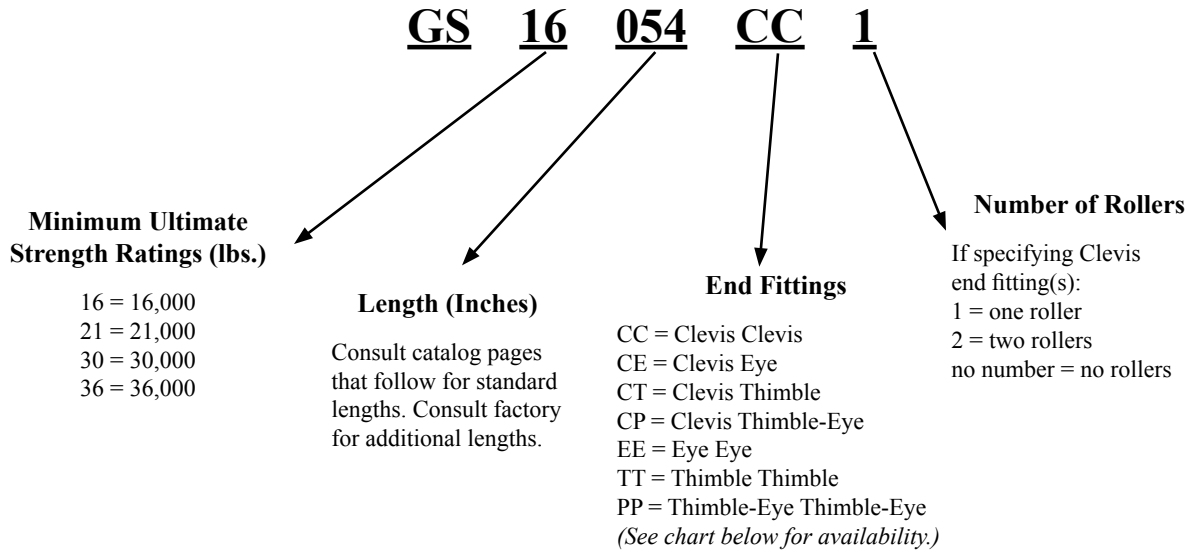
Table of Contents

Index	12-3
Guy Strain Part Numbering System.....	12-4
Guy Strains.....	12-5
Guy Strain Hardware	12-12
Downlead Brackets	12-13
Fiberglass Bracket Part Numbering System.....	12-14
Pin Brackets	12-15
Communication Brackets.....	12-21
Suspension Brackets	12-22
Apparatus Brackets	12-23
Corner Bracket.....	12-37
Tangent Bracket	12-38
Deadend Arms.....	12-39

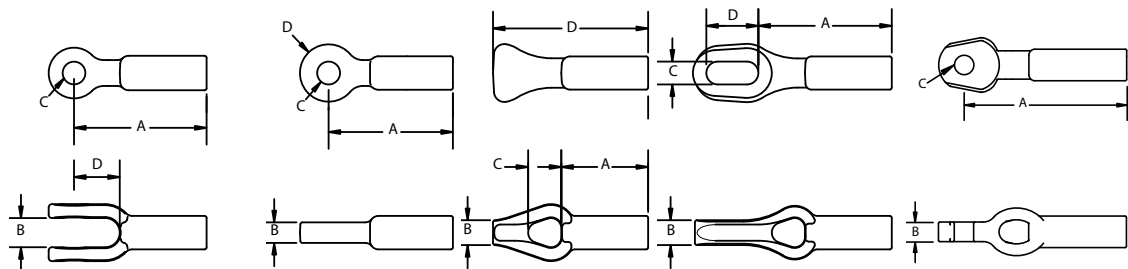
**Index**

Catalog Number	Page	Catalog Number	Page
1CSMxx	21	3SBLxxxxC	36
1SBExxS	22	3SBLxxxxCSB	36
1SBHxxAMT	26	3SBMxxxxAM	32
1SBHxxAMTB	26	3SBMxxxxAMB	32
1SBHxxCL	29	3SBMxxxxAMT	33
1SBHxxCLH	29	3SBMxxxxAMTB	33
1SBHxxH	16	3SBMxxxxCL	34
1SBHxxV	15	3SBMxxxxCLH	34
1SBMxxAM	24	3SBMxxxxCLRH	34
1SBMxxAMB	24	3SBMxxxxCT	35
1SBMxxAMSB	24	3SBMxxxxCTB	35
1SBMxxAMT	26	3SBMxxxxVV	20
1SBMxxAMTB	26	8616644002	12
1SBMxxC	25	DEHxxDP	41
1SBMxxCB	25	DEMxxDP	40
1SBMxxCL	28	DEMxxSP	39
1SBMxxCLH	28	DEMxxSPEB	39
1SBMxxCLRH	28	DLMxxBC	13
1SBMxxCSB	25	GS16xxxCC	5
1SBMxxCT	27	GS16xxxCE	7
1SBMxxCTB	27	GS16xxxCP	9
1SBMxxH	16	GS16xxxCT	8
1SBMxxS	22	GS16xxxEE	10
1SBMxxTD	23	GS16xxxTT	11
1SBMxxV	15	GS21xxxCC	5
104xxx0000	12	GS21xxxCE	7
2SBHxxAMTAMT	30	GS21xxxCP	9
2SBHxxAMTBAMTB	30	GS21xxxCT	8
2SBHxxCLCL	31	GS21xxxEE	10
2SBHxxCLHCLH	31	GS21xxxTT	11
2SBHxxHH	19	GS36xxxCC	6
2SBHxxVV	18	RPHxxx	17
2SBMxxAMTAMT	30	RPMxxx	17
2SBMxxAMTBAMTB	30	SPO40011	37
2SBMxxHH	19	T6531191	38
2SBMxxVV	18		
274xxx4001	12		

Guy Strain Part Number System



Guy Strain End Fittings

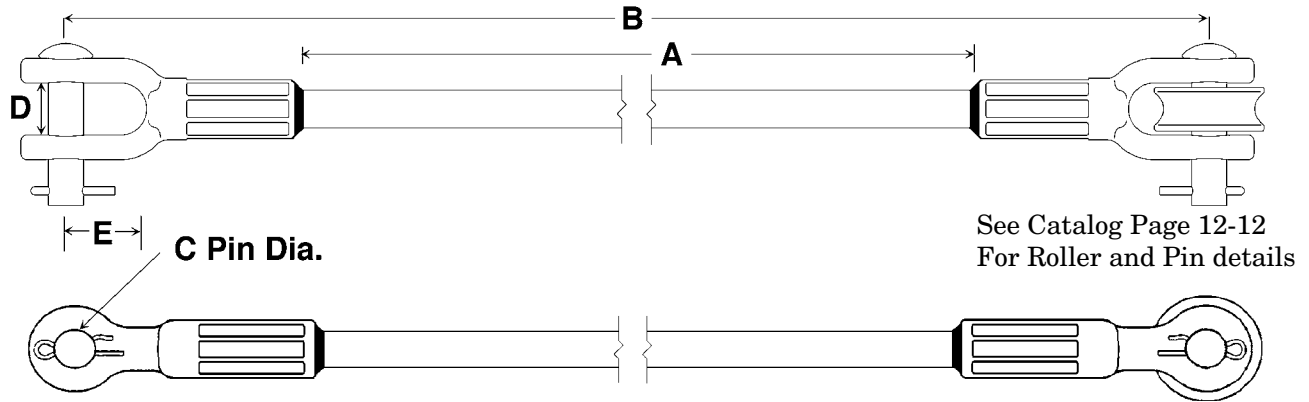


Type	CLEVIS (C)				EYE (E)	THIMBLE (T)	THIMBLE-EYE (P)	THIMBLE-EYE (P)		
	16,000	21,000	30,000	36,000				21,000	30,000	
Dimension (Inches)	A	4.0	4.2	6.0	7.5	3.8	2.6	2.6	5.3	6.9
	B	0.9	0.9	1.0	1.0	0.6	0.8	0.8	0.7	0.8
	C	0.7	0.7	0.8	0.9	0.7	1.0	0.7	0.7	0.8
	D	1.4	1.4	2.0	2.1	1.7	4.7	1.6	N/A	N/A

Castings are hot-dip galvanized ductile iron.

Download Brackets and Replacement Guy Strain Hardware also available; listed on catalog pages 12-12 and 12-13.

Guy Strains - Clevis / Clevis



See Note For Roller Configurations

C Dimension is 5/8" (16 mm) for 16,000 lbs. series and 3/4" (19 mm) for 21,000 lbs. series

D Dimension is 0.88" (22 mm) for 16,000 lbs. series and 1" (25 mm) for 21,000 lbs. series

E Dimension is 1.38" (35 mm) for 16,000 lbs. series and 1.88" (48 mm) for 21,000 lbs. series

Castings are hot-dip galvanized ductile iron.

Catalog Number	Length A	Length B	Weight (Each)
16,000 lbs. (7258 kg) Minimum Ultimate Strength - 5/8" (16 mm) Dia. Rod			
GS16012CC1	12" (30.5 cm)	20" (50.8 cm)	2.8 lbs. (1.3 kg)
GS16018CC1	18" (45.7 cm)	26" (66 cm)	2.9 lbs. (1.3 kg)
GS16024CC1	24" (61 cm)	32" (81.3 cm)	3.1 lbs. (1.4 kg)
GS16030CC1	30" (76.2 cm)	38" (96.5 cm)	3.2 lbs. (1.4 kg)
GS16036CC1	36" (91.4 cm)	44" (111.8 cm)	3.3 lbs. (1.5 kg)
GS16042CC1	42" (106.7 cm)	50" (127 cm)	3.5 lbs. (1.6 kg)
GS16054CC1	54" (137.2 cm)	62" (157.5 cm)	3.7 lbs. (1.7 kg)
GS16060CC1	60" (152.4 cm)	68" (172.7 cm)	3.8 lbs. (1.7 kg)
GS16078CC1	78" (198.1 cm)	86" (218.4 cm)	4.2 lbs. (1.9 kg)
GS16096CC1	96" (243.8 cm)	104" (264.2 cm)	4.6 lbs. (2.1 kg)
GS16120CC1	120" (304.8 cm)	128" (325.1 cm)	5.1 lbs. (2.3 kg)
GS16144CC1	144" (365.8 cm)	152" (386.1 cm)	5.7 lbs. (2.6 kg)
21,000 lbs. (9525 kg) Minimum Ultimate Strength - 3/4" (19 mm) Dia. Rod			
GS21012CC1	12" (30.5 cm)	21" (53.3 cm)	4.4 lbs. (2 kg)
GS21018CC1	18" (45.7 cm)	27" (68.6 cm)	4.6 lbs. (2.1 kg)
GS21024CC1	24" (61 cm)	33" (83.8 cm)	4.8 lbs. (2.2 kg)
GS21030CC1	30" (76.2 cm)	39" (99.1 cm)	5 lbs. (2.3 kg)
GS21036CC1	36" (91.4 cm)	45" (114.3 cm)	5.1 lbs. (2.3 kg)
GS21042CC1	42" (106.7 cm)	51" (129.5 cm)	5.3 lbs. (2.4 kg)
GS21054CC1	54" (137.2 cm)	63" (160 cm)	5.7 lbs. (2.6 kg)
GS21060CC1	60" (152.4 cm)	69" (175.3 cm)	5.8 lbs. (2.6 kg)
GS21078CC1	78" (198.1 cm)	87" (221 cm)	6.4 lbs. (2.9 kg)
GS21096CC1	96" (243.8 cm)	105" (266.7 cm)	6.9 lbs. (3.1 kg)
GS21120CC1	120" (304.8 cm)	129" (327.7 cm)	7.6 lbs. (3.4 kg)
GS21144CC1	144" (365.8 cm)	153" (388.6 cm)	8.3 lbs. (3.7 kg)

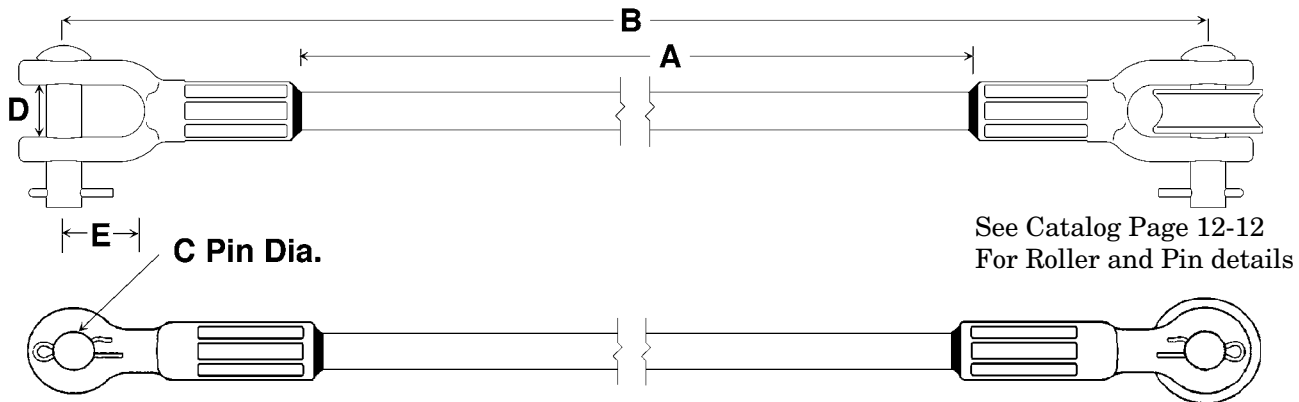
GS—CC1 series has 1 Roller as detailed in drawing

For 2 Rollers, replace "CC1" in number with "CC2"

For no Rollers, replace "CC1" in number with "CC"

36,000 lb. SERIES

Guy Strains - Clevis / Clevis



See Note For Roller Configurations

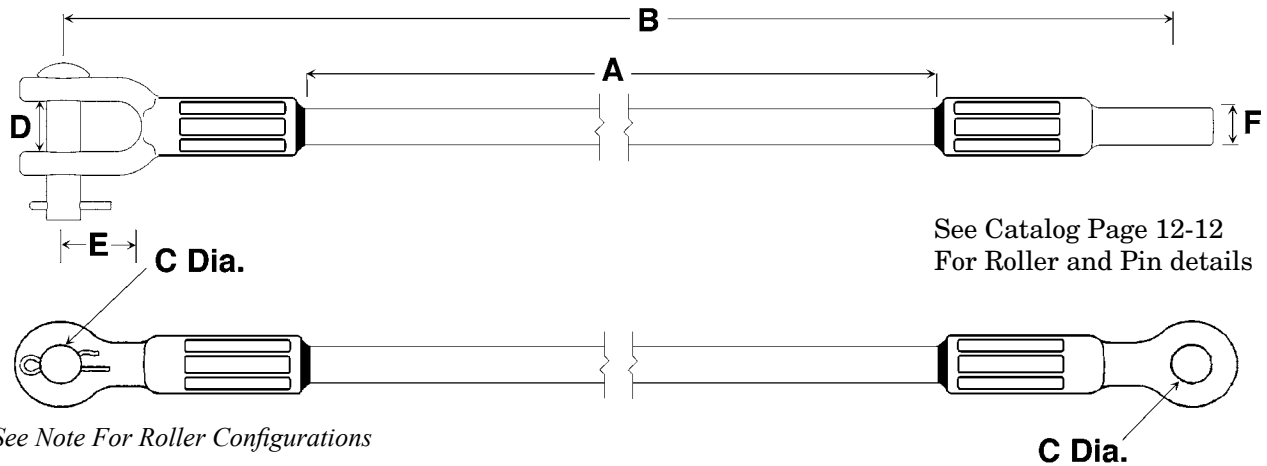
- C Dimension is 7/8" (22 mm) for 36,000 lbs. series
- D Dimension is 1" (25 mm) for 36,000 lbs. series
- E Dimension is 2.12" (53 mm) for 36,000 lbs. series

Castings are hot-dip galvanized ductile iron.

Catalog Number	Length A	Length B	Weight (Each)
36,000 lbs. (16,200 kg) Minimum Ultimate Strength - 7/8" (22 mm) Dia. Rod			
GS36018CC1	18" (45.7 cm)	33" (83.8 cm)	8.8 lbs. (4.0 kg)
GS36036CC1	36" (91.4 cm)	51" (129.5 cm)	9.6 lbs. (4.4 kg)
GS36054CC1	54" (137.2 cm)	69" (175.3 cm)	10.3 lbs. (4.7 kg)
GS36060CC1	60" (152.4 cm)	75" (190.5 cm)	10.5 lbs. (4.8 kg)
GS36078CC1	78" (198.1 cm)	93" (236.2 cm)	11.2 lbs. (5.1 kg)
GS36096CC1	96" (243.8 cm)	111" (281.9 cm)	12.0 lbs. (5.4 kg)
GS36120CC1	120" (304.8 cm)	135" (342.9 cm)	12.9 lbs. (5.8 kg)
GS36144CC1	144" (365.8 cm)	159" (403.9 cm)	13.8 lbs. (6.3 kg)

GS—CC1 series has 1 Roller as detailed in drawing
 For 2 Rollers, replace "CC1" in number with "CC2"
 For no Rollers, replace "CC1" in number with "CC"
 Consult factory for additional lengths.

Guy Strains - Clevis / Eye



See Catalog Page 12-12
For Roller and Pin details

See Note For Roller Configurations

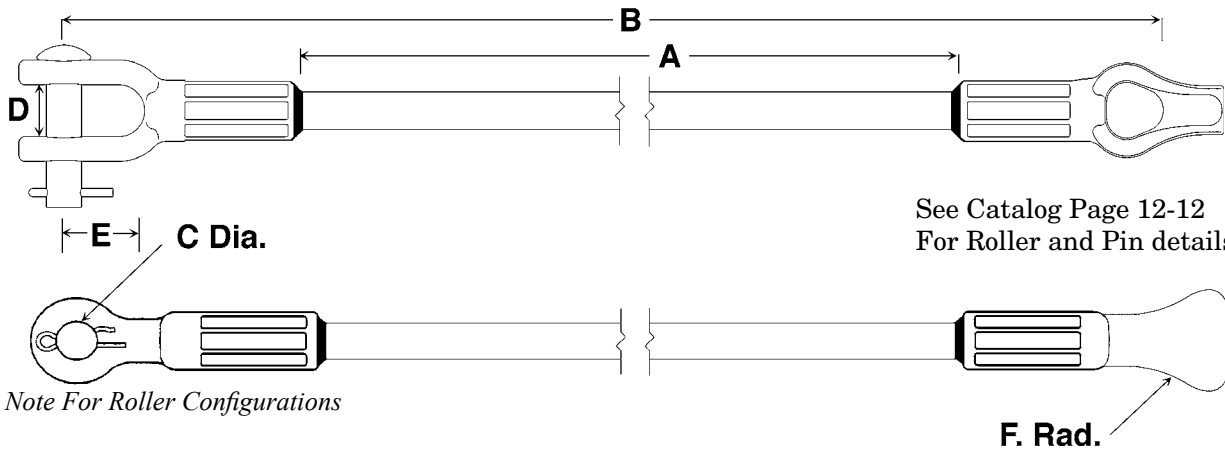
- C Dimension is 5/8" (16 mm) for 16,000 lbs. series and 3/4" (19 mm) for 21,000 lbs. series
- D Dimension is 0.88" (22 mm) for 16,000 lbs. series and 1" (25 mm) for 21,000 lbs. series
- E Dimension is 1.38" (35 mm) for 16,000 lbs. series and 1.88" (48 mm) for 21,000 lbs. series

Castings are hot-dip galvanized
ductile iron.

Catalog Number	Length A	Length B	Width F	Weight (Each)
16,000 lbs. (7258 kg) Minimum Ultimate Strength - 5/8" (16 mm) Dia. Rod				
GS16012CE	12" (30.5 cm)	19.8" (50.3 cm)	0.625" (16 mm)	2.8 lbs. (1.3 kg)
GS16018CE	18" (45.7 cm)	25.8" (65.5 cm)	0.625" (16 mm)	2.9 lbs. (1.3 kg)
GS16024CE	24" (61 cm)	31.8" (80.8 cm)	0.625" (16 mm)	3.1 lbs. (1.4 kg)
GS16030CE	30" (76.2 cm)	37.8" (96 cm)	0.625" (16 mm)	3.2 lbs. (1.4 kg)
GS16036CE	36" (91.4 cm)	43.8" (111.3 cm)	0.625" (16 mm)	3.3 lbs. (1.5 kg)
GS16054CE	54" (137.2 cm)	61.8" (157 cm)	0.625" (16 mm)	3.7 lbs. (1.7 kg)
GS16060CE	60" (152.4 cm)	67.8" (172.2 cm)	0.625" (16 mm)	3.8 lbs. (1.7 kg)
GS16078CE	78" (198.1 cm)	85.8" (217.9 cm)	0.625" (16 mm)	4.2 lbs. (1.9 kg)
GS16120CE	120" (304.8 cm)	127.8" (324.6 cm)	0.625" (16 mm)	5.1 lbs. (2.3 kg)
GS16144CE	144" (365.8 cm)	151.8" (385.6 cm)	0.625" (16 mm)	5.7 lbs. (2.6 kg)
21,000 lbs. (9525 kg) Minimum Ultimate Strength - 3/4" (19 mm) Dia. Rod				
GS21012CE	12" (30.5 cm)	20.5" (52.1 cm)	0.75" (19 mm)	4.4 lbs. (2 kg)
GS21018CE	18" (45.7 cm)	26.5" (67.3 cm)	0.75" (19 mm)	4.6 lbs. (2.1 kg)
GS21024CE	24" (61 cm)	32.5" (82.6 cm)	0.75" (19 mm)	4.8 lbs. (2.2 kg)
GS21036CE	36" (91.4 cm)	44.5" (113 cm)	0.75" (19 mm)	5.1 lbs. (2.3 kg)
GS21042CE	42" (106.7 cm)	50.5" (128.3 cm)	0.75" (19 mm)	5.3 lbs. (2.4 kg)
GS21054CE	54" (137.2 cm)	62.5" (158.8 cm)	0.75" (19 mm)	5.7 lbs. (2.6 kg)
GS21060CE	60" (152.4 cm)	68.5" (174 cm)	0.75" (19 mm)	5.8 lbs. (2.6 kg)
GS21078CE	78" (198.1 cm)	86.5" (219.7 cm)	0.75" (19 mm)	6.4 lbs. (2.9 kg)
GS21096CE	96" (243.8 cm)	104.5" (265.4 cm)	0.75" (19 mm)	6.9 lbs. (3.1 kg)
GS21120CE	120" (304.8 cm)	128.5" (326.4 cm)	0.75" (19 mm)	7.6 lbs. (3.4 kg)

*GS — CE series has No Roller as detailed in drawing
For 1 Roller, replace "CE" in number with "CE1"*

Guy Strains - Clevis / Thimble



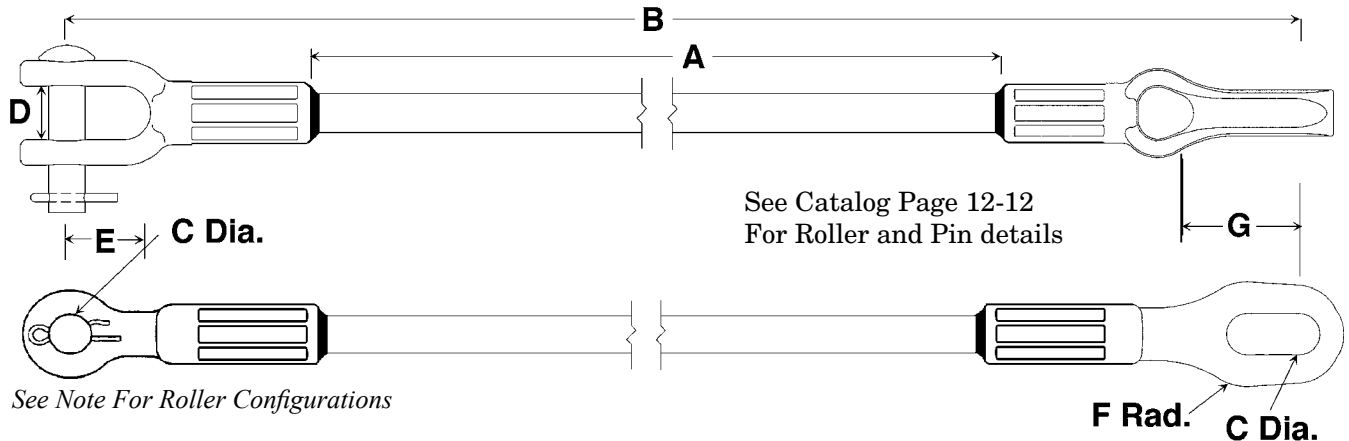
C Dimension is 5/8" (16 mm) for 16,000 lbs. series and 3/4" (19 mm) for 21,000 lbs. series
 D Dimension is 0.88" (22 mm) for 16,000 lbs. series and 1" (25 mm) for 21,000 lbs. series
 E Dimension is 1.38" (35 mm) for 16,000 lbs. series and 1.88" (48 mm) for 21,000 lbs. series

Castings are hot-dip galvanized ductile iron.

Catalog Number	Length A	Length B	Radius F	Weight (Each)
16,000 lbs. (7258 kg) Minimum Ultimate Strength - 5/8" (16 mm) Dia. Rod				
GS16012CT	12" (30.5 cm)	19.6" (49.8 cm)	0.75" (19 mm)	2.8 lbs. (1.3 kg)
GS16024CT	24" (61 cm)	31.6" (80.3 cm)	0.75" (19 mm)	3.1 lbs. (1.4 kg)
GS16036CT	36" (91.4 cm)	43.6" (110.7 cm)	0.75" (19 mm)	3.3 lbs. (1.5 kg)
GS16054CT	54" (137.2 cm)	61.6" (156.5 cm)	0.75" (19 mm)	3.7 lbs. (1.7 kg)
GS16078CT	78" (198.1 cm)	85.6" (217.4 cm)	0.75" (19 mm)	4.2 lbs. (1.9 kg)
21,000 lbs. (9525 kg) Minimum Ultimate Strength - 3/4" (19 mm) Dia. Rod				
GS21018CT	18" (45.7 cm)	26.2" (66.5 cm)	0.88" (22 mm)	4.6 lbs. (2.1 kg)
GS21024CT	24" (61 cm)	32.2" (81.8 cm)	0.88" (22 mm)	4.8 lbs. (2.2 kg)
GS21036CT	36" (91.4 cm)	44.2" (112.3 cm)	0.88" (22 mm)	5.1 lbs. (2.3 kg)
GS21054CT	54" (137.2 cm)	62.2" (158 cm)	0.88" (22 mm)	5.6 lbs. (2.5 kg)
GS21060CT	60" (152.4 cm)	68.2" (173.2 cm)	0.88" (22 mm)	5.8 lbs. (2.6 kg)
GS21078CT	78" (198.1 cm)	86.2" (218.9 cm)	0.88" (22 mm)	6.4 lbs. (2.9 kg)
GS21120CT	120" (304.8 cm)	128.2" (325.6 cm)	0.88" (22 mm)	7.6 lbs. (3.4 kg)

GS—CT series has No Roller as detailed in drawing
 For 1 Roller, replace "CT" in number with "CTI"
 Consult factory for additional lengths.

Guy Strains - Clevis / Thimble-Eye



See Note For Roller Configurations

C Dimension is 5/8" (16 mm) for 16,000 lbs. series and 3/4" (19 mm) for 21,000 lbs. series

D Dimension is 0.88" (22 mm) for 16,000 lbs. series and 1" (25 mm) for 21,000 lbs. series

E Dimension is 1.38" (35 mm) for 16,000 lbs. series and 1.88" (48 mm) for 21,000 lbs. series

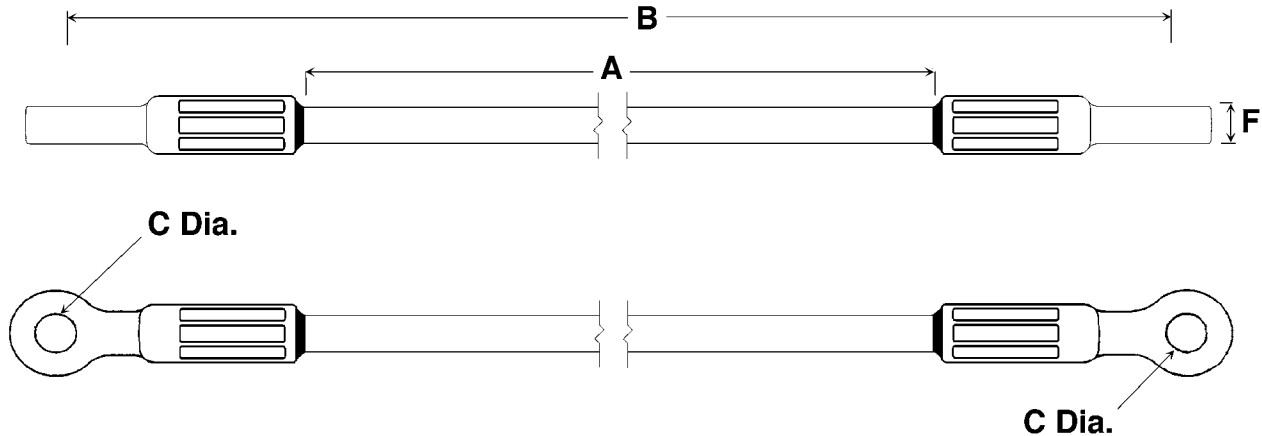
Dimension is 1.6" (41 mm) for 16,000 lbs. series and 1.8" (46 mm) for 21,000 lbs. series

Castings are hot-dip galvanized ductile iron.

Catalog Number	Length A	Length B	Radius F	Weight (Each)
16,000 lbs. (7258 kg) Minimum Ultimate Strength - 5/8" (16 mm) Dia. Rod				
GS16012CP	12" (30.5 cm)	21.3" (54.1 cm)	0.75" (19 mm)	2.8 lbs. (1.3 kg)
GS16018CP	18" (45.7 cm)	27.3" (69.3 cm)	0.75" (19 mm)	2.9 lbs. (1.3 kg)
GS16024CP	24" (61 cm)	33.3" (84.6 cm)	0.75" (19 mm)	3.1 lbs. (1.4 kg)
GS16036CP	36" (91.4 cm)	45.3" (115.1 cm)	0.75" (19 mm)	3.3 lbs. (1.5 kg)
GS16042CP	42" (106.7 cm)	51.3" (130.3 cm)	0.75" (19 mm)	3.5 lbs. (1.6 kg)
GS16054CP	54" (137.2 cm)	63.3" (160.8 cm)	0.75" (19 mm)	3.7 lbs. (1.7 kg)
GS16078CP	78" (198.1 cm)	87.3" (221.7 cm)	0.75" (19 mm)	4.2 lbs. (1.9 kg)
GS16096CP	96" (243.8 cm)	105.3" (267.5 cm)	0.75" (19 mm)	4.6 lbs. (2.1 kg)
GS16120CP	120" (304.8 cm)	129.3" (328.4 cm)	0.75" (19 mm)	5.1 lbs. (2.3 kg)
GS16144CP	144" (365.8 cm)	153.3" (389.4 cm)	0.75" (19 mm)	5.6 lbs. (2.5 kg)
21,000 lbs. (9525 kg) Minimum Ultimate Strength - 3/4" (19 mm) Dia. Rod				
GS21012CP	12" (30.5 cm)	22" (55.9 cm)	0.88" (22 mm)	4.5 lbs. (2 kg)
GS21018CP	18" (45.7 cm)	28" (71.1 cm)	0.88" (22 mm)	4.6 lbs. (2.1 kg)
GS21024CP	24" (61 cm)	34" (86.4 cm)	0.88" (22 mm)	4.8 lbs. (2.2 kg)
GS21036CP	36" (91.4 cm)	46" (116.8 cm)	0.88" (22 mm)	5.1 lbs. (2.3 kg)
GS21054CP	54" (137.2 cm)	64" (162.6 cm)	0.88" (22 mm)	5.7 lbs. (2.6 kg)
GS21060CP	60" (152.4 cm)	70" (177.8 cm)	0.88" (22 mm)	5.8 lbs. (2.6 kg)
GS21078CP	78" (198.1 cm)	88" (223.5 cm)	0.88" (22 mm)	6.4 lbs. (2.9 kg)
GS21096CP	96" (243.8 cm)	106" (269.2 cm)	0.88" (22 mm)	6.9 lbs. (3.1 kg)
GS21120CP	120" (304.8 cm)	130" (330.2 cm)	0.88" (22 mm)	7.6 lbs. (3.4 kg)
GS21144CP	144" (365.8 cm)	154" (391.2 cm)	0.88" (22 mm)	8.3 lbs. (3.7 kg)

GS—CP series has No Roller as detailed in drawing
For 1 Roller, replace "CP" in number with "CPI"

Guy Strains - Eye / Eye

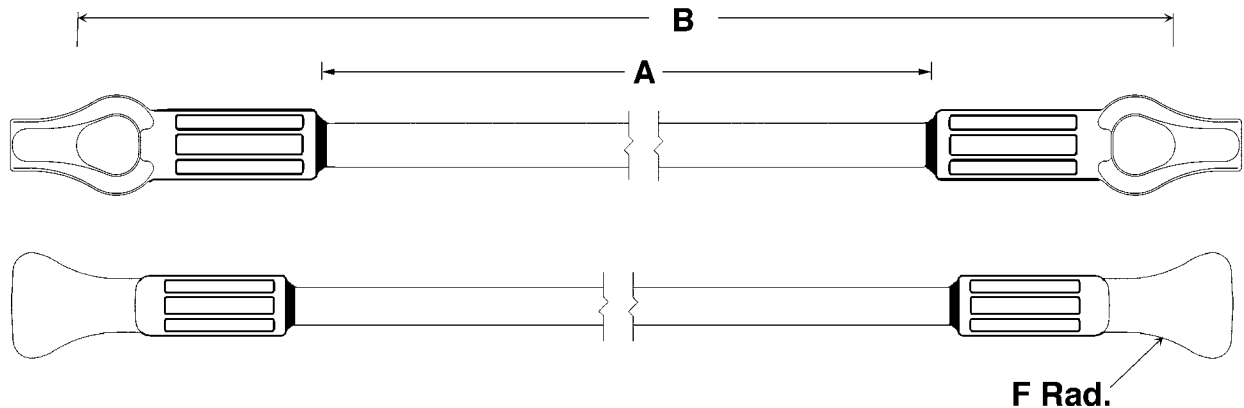


C Dimension is 5/8" (16 mm) for 16,000 lbs. series and 3/4" (19 mm) for 21,000 lbs. series

Castings are hot-dip galvanized ductile iron.

Catalog Number	Length A	Length B	Width F	Weight (Each)
16,000 lbs. (7258 kg) Minimum Ultimate Strength - 5/8" (16 mm) Dia. Rod				
GS16012EE	12" (30.5 cm)	19.6" (49.8 cm)	0.625" (16 mm)	2.8 lbs. (1.3 kg)
GS16018EE	18" (45.7 cm)	25.6" (65 cm)	0.625" (16 mm)	2.9 lbs. (1.3 kg)
GS16024EE	24" (61 cm)	31.6" (80.3 cm)	0.625" (16 mm)	3.1 lbs. (1.4 kg)
GS16036EE	36" (91.4 cm)	43.6" (110.7 cm)	0.625" (16 mm)	3.3 lbs. (1.5 kg)
GS16042EE	42" (106.7 cm)	49.6" (126 cm)	0.625" (16 mm)	3.5 lbs. (1.6 kg)
GS16054EE	54" (137.2 cm)	61.6" (156.5 cm)	0.625" (16 mm)	3.7 lbs. (1.7 kg)
GS16078EE	78" (198.1 cm)	85.6" (217.4 cm)	0.625" (16 mm)	4.2 lbs. (1.9 kg)
GS16096EE	96" (243.8 cm)	103.6" (263.1 cm)	0.625" (16 mm)	4.6 lbs. (2.1 kg)
GS16120EE	120" (304.8 cm)	127.6" (324.1 cm)	0.625" (16 mm)	5.1 lbs. (2.3 kg)
GS16144EE	144" (365.8 cm)	151.6" (385.1 cm)	0.625" (16 mm)	5.7 lbs. (2.6 kg)
21,000 lbs. (9525 kg) Minimum Ultimate Strength - 3/4" (19 mm) Dia. Rod				
GS21012EE	12" (30.5 cm)	20" (50.8 cm)	0.75" (19 mm)	4.4 lbs. (2 kg)
GS21018EE	18" (45.7 cm)	26" (66 cm)	0.75" (19 mm)	4.6 lbs. (2.1 kg)
GS21024EE	24" (61 cm)	32" (81.3 cm)	0.75" (19 mm)	4.8 lbs. (2.2 kg)
GS21036EE	36" (91.4 cm)	44" (111.8 cm)	0.75" (19 mm)	5.1 lbs. (2.3 kg)
GS21042EE	42" (106.7 cm)	50" (127 cm)	0.75" (19 mm)	5.3 lbs. (2.4 kg)
GS21054EE	54" (137.2 cm)	62" (157.5 cm)	0.75" (19 mm)	5.7 lbs. (2.6 kg)
GS21078EE	78" (198.1 cm)	86" (218.4 cm)	0.75" (19 mm)	6.4 lbs. (2.9 kg)
GS21096EE	96" (243.8 cm)	104" (264.2 cm)	0.75" (19 mm)	6.9 lbs. (3.1 kg)
GS21120EE	120" (304.8 cm)	128" (325.1 cm)	0.75" (19 mm)	7.6 lbs. (3.4 kg)
GS21144EE	144" (365.8 cm)	152" (386.1 cm)	0.75" (19 mm)	8.3 lbs. (3.7 kg)

Guy Strains - Thimble / Thimble



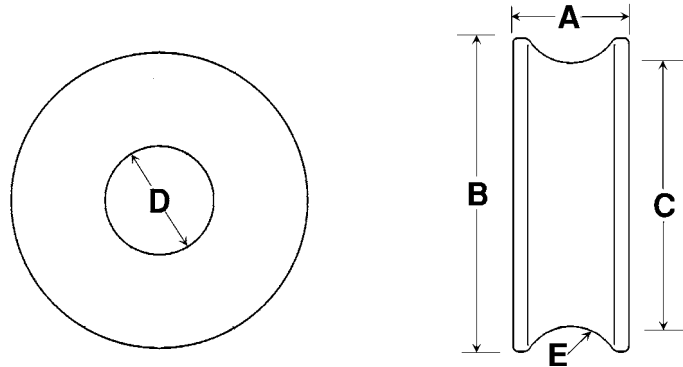
Castings are hot-dip galvanized ductile iron.

Catalog Number	Length A	Length B	Radius F	Weight (Each)
16,000 lbs. (7258 kg) Minimum Ultimate Strength - 5/8" (16 mm) Dia. Rod				
GS16012TT	12" (30.5 cm)	19.2" (48.8 cm)	0.75" (19 mm)	2.8 lbs. (1.3 kg)
GS16018TT	18" (45.7 cm)	25.2" (64 cm)	0.75" (19 mm)	2.9 lbs. (1.3 kg)
GS16036TT	36" (91.4 cm)	43.2" (109.7 cm)	0.75" (19 mm)	3.3 lbs. (1.5 kg)
GS16042TT	42" (106.7 cm)	49.2" (125 cm)	0.75" (19 mm)	3.4 lbs. (1.5 kg)
GS16054TT	54" (137.2 cm)	61.2" (155.4 cm)	0.75" (19 mm)	3.7 lbs. (1.7 kg)
GS16078TT	78" (198.1 cm)	85.2" (216.4 cm)	0.75" (19 mm)	4.2 lbs. (1.9 kg)
21,000 lbs. (9525 kg) Minimum Ultimate Strength - 3/4" (19 mm) Dia. Rod				
GS21012TT	12" (30.5 cm)	19.4" (49.3 cm)	0.88" (22 mm)	4.4 lbs. (2.0 kg)
GS21018TT	18" (45.7 cm)	25.4" (64.5 cm)	0.88" (22 mm)	4.6 lbs. (2.1 kg)
GS21036TT	36" (91.4 cm)	43.4" (110.2 cm)	0.88" (22 mm)	5.1 lbs. (2.3 kg)
GS21042TT	42" (106.7 cm)	49.4" (125.5 cm)	0.88" (22 mm)	5.3 lbs. (2.4 kg)
GS21078TT	78" (198.1 cm)	85.4" (216.9 cm)	0.88" (22 mm)	6.4 lbs. (2.9 kg)

Consult factory for additional lengths.

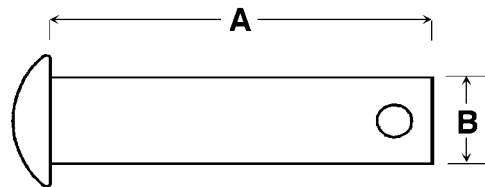
Guy Strain Replacement Hardware

Guy Strain Roller



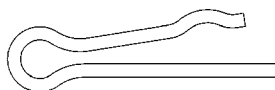
Guy Strain Assembly	Catalog Number	Width A	Dia. B	Dia. C	Dia. D	Radius E
16,000 lbs.	PSP6531907P	0.76" (19 mm)	2.0" (51 mm)	1.6" (41 mm)	0.69" (18 mm)	0.31" (8 mm)
21,000 lbs.	PSP6531907P	0.76" (19 mm)	2.0" (51 mm)	1.6" (41 mm)	0.69" (18 mm)	0.31" (8 mm)
30,000 lbs.	2743104001	0.81" (21 mm)	2.4" (61 mm)	1.9" (48 mm)	0.81" (21 mm)	0.31" (8 mm)
36,000 lbs.	2748214001	0.86" (22 mm)	2.4" (61 mm)	2.2" (56 mm)	0.94" (24 mm)	1.05" (27 mm)

Guy Strain Clevis Pin



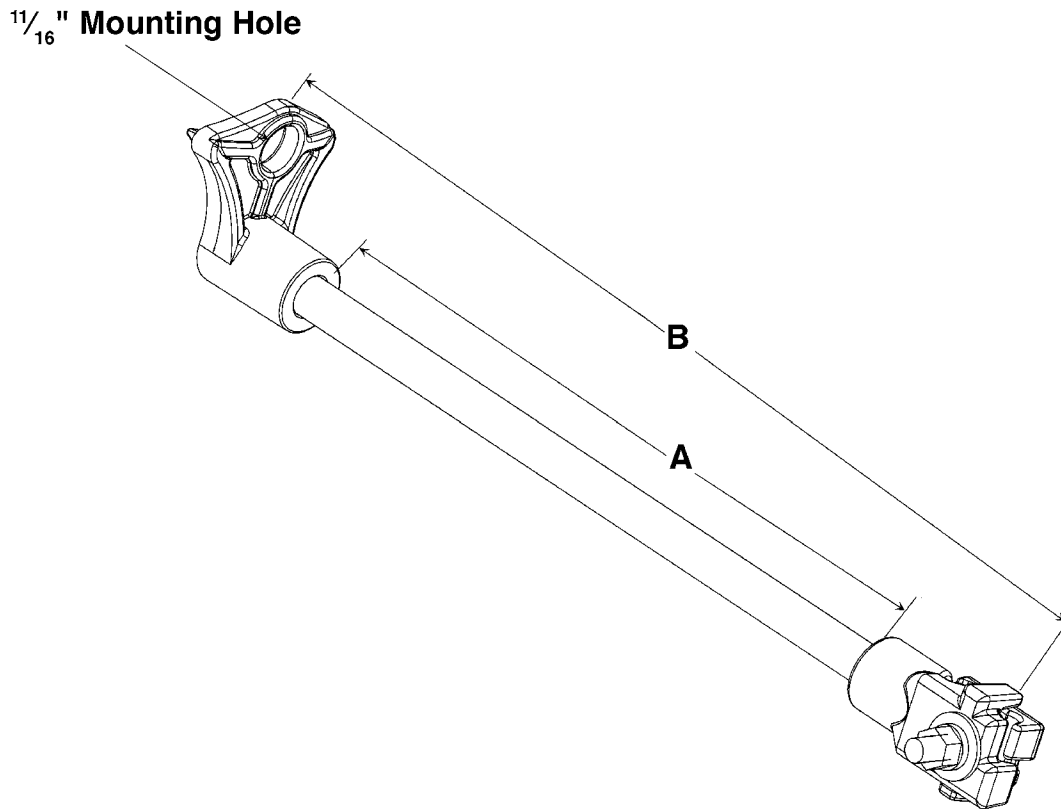
Guy Strain Assembly	Catalog Number	Length A	Dia. B
16,000 lbs.	2743064001	2.5" (64 mm)	0.61" (15 mm)
21,000 lbs.	2743064001	2.5" (64 mm)	0.61" (15 mm)
30,000 lbs.	2743134001	2.5" (64 mm)	0.75" (19 mm)
36,000 lbs.	1045040000	2.6" (66mm)	0.88" (22 mm)

Cotter Key



Guy Strain Assembly	Catalog Number
16,000 lbs.	861664002
21,000 lbs.	861664002
30,000 lbs.	861664002
36,000 lbs.	1046810000

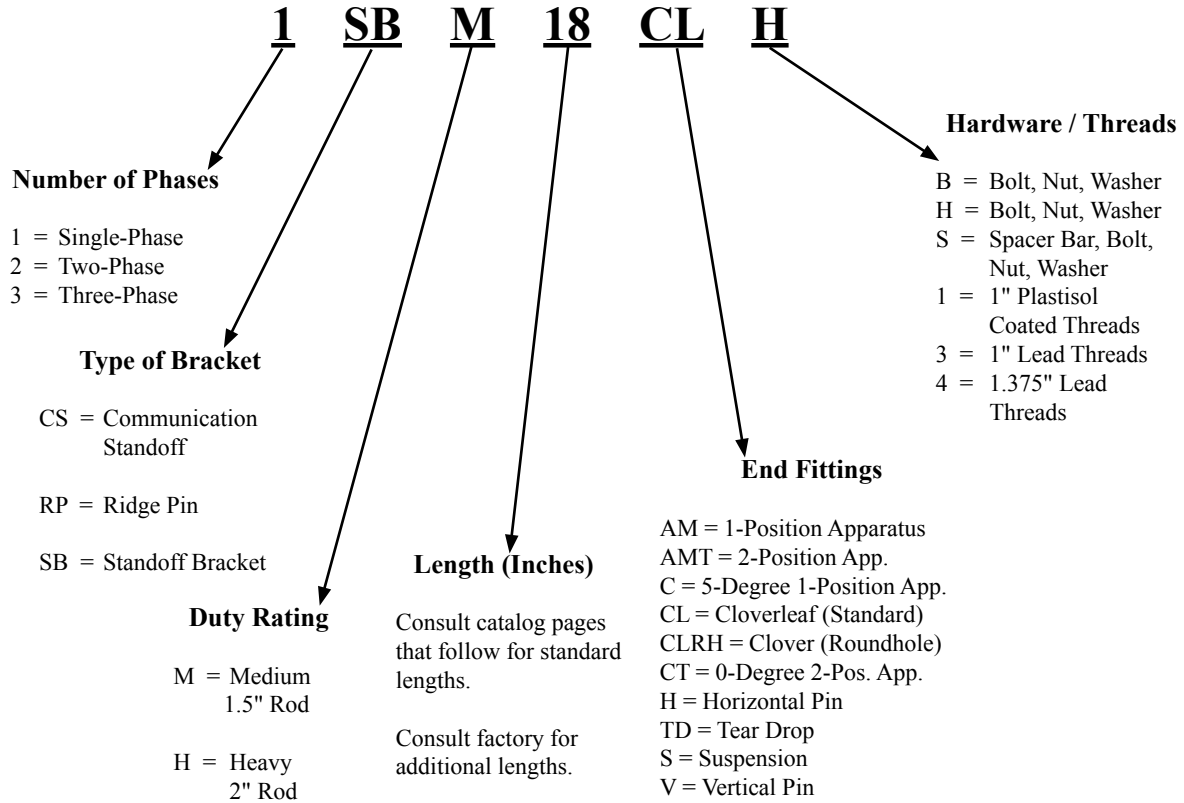
Downlead Bracket



Base and Cable Clamp
are hot-dip-galvanized
ductile iron.

Catalog Number	Length A	Conductor Size		Weight (Each)	
		Length B	Minimum		Maximum
Medium Duty 5/8" (16 mm) Dia. Rod					
DLM12BC	12" (30.5 cm)	16.5" (41.9 cm)	0.128" (3.25 mm)	0.398" (10.11 mm)	1.89 lbs. (.85 kg)
DLM18BC	18" (45.7 cm)	22.5" (57.2 cm)	0.128" (3.25 mm)	0.398" (10.11 mm)	2.02 lbs. (.91 kg)
DLM24BC	24" (61 cm)	28.5" (72.5 cm)	0.128" (3.25 mm)	0.398" (10.11 mm)	2.15 lbs. (.97 kg)

Fiberglass Assemblies Part Number System



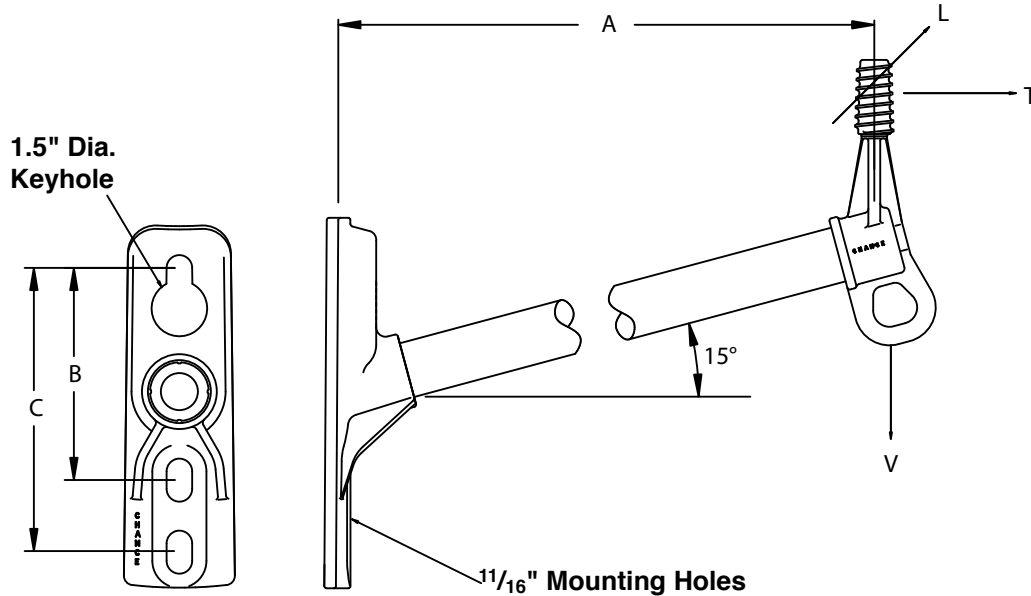
Extra Heavy Duty Brackets (2.5" Rod) also available; listed on catalog pages 12-22 and 12-38.

Light Duty Apparatus Bracket (1.25" Rod) also available; listed on catalog page 12-36.

Corner Bracket also available; listed on catalog page 12-37.

Deadend Arms also available; listed on catalog pages 12-39 through 12-41.

Single-Phase Vertical Pin Standoff Bracket



B Dimension is 6" for 1SBM series and 8" for 1SBH series
C Dimension is 8" for 1SBM series and 10" for 1SBH series

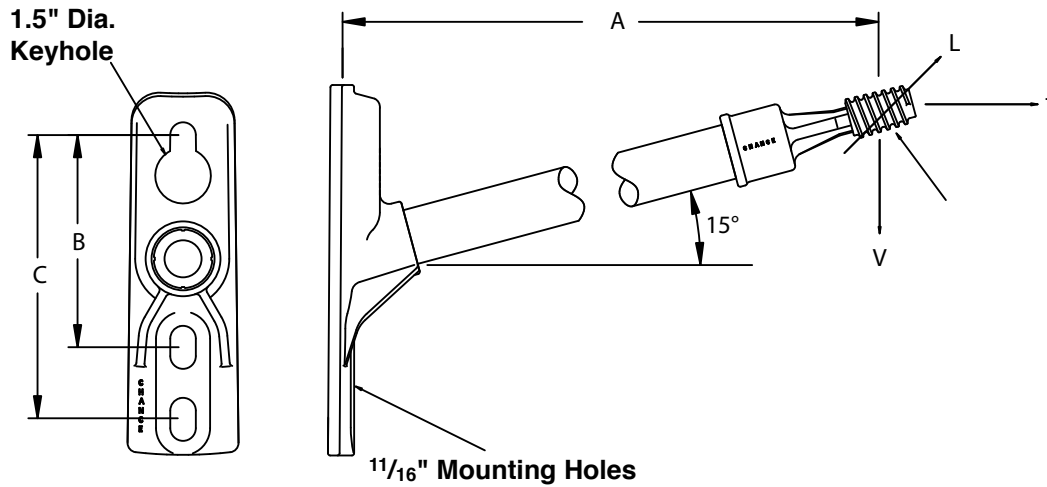
Base and Insulator Ferrule are hot-dip-galvanized ductile iron.

Catalog Number	Length A	Minimum Ultimate*			Weight (Each)
		Vertical V	Longitudinal L	Transverse T	
Medium Duty 1.5" (38 mm) Dia. Rod					
1SBM12V1	12" (30.5 cm)	1800 lbs. (810 kg)	1400 lbs. (630 kg)	2000 lbs. (900 kg)	6.8 lbs. (3.1 kg)
1SBM15V1	15" (38.1 cm)	1500 lbs. (675 kg)	1100 lbs. (495 kg)	2000 lbs. (900 kg)	7.2 lbs. (3.2 kg)
1SBM18V1	18" (45.7 cm)	1200 lbs. (540 kg)	950 lbs. (428 kg)	2000 lbs. (900 kg)	7.5 lbs. (3.4 kg)
1SBM21V1	21" (53.3 cm)	1000 lbs. (450 kg)	800 lbs. (360 kg)	2000 lbs. (900 kg)	7.9 lbs. (3.6 kg)
1SBM24V1	24" (61 cm)	900 lbs. (405 kg)	700 lbs. (315 kg)	2000 lbs. (900 kg)	8.3 lbs. (3.7 kg)
Heavy Duty 2" (51 mm) Dia. Rod					
1SBH12V1	12" (30.5 cm)	2550 lbs. (1148 kg)	2000 lbs. (900 kg)	2500 lbs. (1125 kg)	10 lbs. (4.5 kg)
1SBH18V1	18" (45.7 cm)	2250 lbs. (1013 kg)	1900 lbs. (855 kg)	2500 lbs. (1125 kg)	11.3 lbs. (5.1 kg)
1SBH20V1	20" (50.8 cm)	2250 lbs. (1013 kg)	1900 lbs. (855 kg)	2500 lbs. (1125 kg)	11.8 lbs. (5.3 kg)
1SBH24V1	24" (61 cm)	2100 lbs. (945 kg)	1850 lbs. (833 kg)	2500 lbs. (1125 kg)	12.7 lbs. (5.7 kg)
1SBH27V1	27" (68.6 cm)	1950 lbs. (878 kg)	1800 lbs. (810 kg)	2500 lbs. (1125 kg)	13.4 lbs. (6 kg)
1SBH30V1	30" (76.2 cm)	1800 lbs. (810 kg)	1750 lbs. (788 kg)	2500 lbs. (1125 kg)	14 lbs. (6.3 kg)

*Recommended maximum working load is 50% of minimum ultimate ratings listed.

*ISB—V1 series has 1" plastisol coated threads
 For 1" lead threads, replace "V1" in number with "V3"
 For 1.375" lead threads, replace "V1" in number with "V4"
 Consult factory for additional lengths.*

Single-Phase Horizontal Pin Standoff Bracket



B Dimension is 6" for 1SBM series and 8" for 1SBH series
 C Dimension is 8" for 1SBM series and 10" for 1SBH series

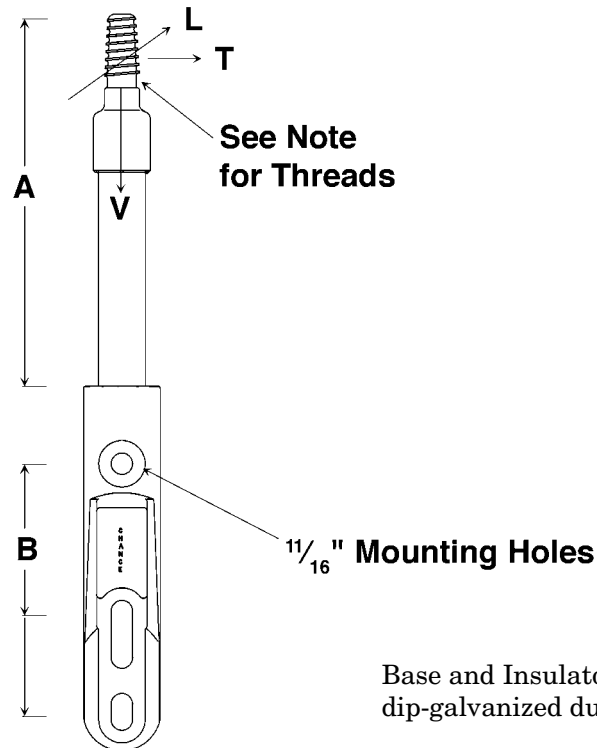
Base and Insulator Ferrule are hot-dip-galvanized ductile iron.

Catalog Number	Length A	Minimum Ultimate*			Weight (Each)
		Vertical V	Longitudinal L	Transverse T	
Medium Duty 1.5" (38 mm) Dia. Rod					
1SBM12H1	12" (30.5 cm)	1850 lbs. (835 kg)	1800 lbs. (815 kg)	1500 lbs. (675 kg)	5.2 lbs. (2.3 kg)
1SBM15H1	15" (38.1 cm)	1500 lbs. (675 kg)	1450 lbs. (653 kg)	1500 lbs. (675 kg)	5.6 lbs. (2.5 kg)
1SBM16H1	16" (40.6 cm)	1400 lbs. (630 kg)	1350 lbs. (608 kg)	1500 lbs. (675 kg)	5.7 lbs. (2.6 kg)
1SBM18H1	18" (45.7 cm)	1200 lbs. (540 kg)	1200 lbs. (540 kg)	1500 lbs. (675 kg)	5.9 lbs. (2.7 kg)
1SBM20H1	20" (50.8 cm)	1100 lbs. (495 kg)	1100 lbs. (495 kg)	1500 lbs. (675 kg)	6.2 lbs. (2.8 kg)
1SBM24H1	24" (61 cm)	1050 lbs. (476 kg)	900 lbs. (405 kg)	1500 lbs. (675 kg)	6.7 lbs. (3 kg)
Heavy Duty 2" (51 mm) Dia. Rod					
1SBH18H1	18" (45.7 cm)	2300 lbs. (1035 kg)	1400 lbs. (630 kg)	1500 lbs. (675 kg)	8.4 lbs. (3.8 kg)
1SBH20H1	20" (50.8 cm)	2100 lbs. (945 kg)	1350 lbs. (608 kg)	1500 lbs. (675 kg)	8.9 lbs. (4 kg)
1SBH24H1	24" (61 cm)	1750 lbs. (788 kg)	1200 lbs. (540 kg)	1500 lbs. (675 kg)	9.8 lbs. (4.4 kg)
1SBH27H1	27" (68.6 cm)	1550 lbs. (698 kg)	1050 lbs. (473 kg)	1500 lbs. (675 kg)	10.4 lbs. (4.7 kg)
1SBH30H1	30" (76.2 cm)	1400 lbs. (630 kg)	950 lbs. (428 kg)	1500 lbs. (675 kg)	11.1 lbs. (5 kg)

*Recommended maximum working load is 50% of minimum ultimate ratings listed.

ISB—H1 series has 1" plastisol coated threads
 For 1" lead threads, replace "H1" in number with "H3"
 For 1.375" lead threads, replace "H1" in number with "H4"
 Consult factory for additional lengths.

Ridge Pin (Pole Top Pin)



B Dimension is 6" & 8" for RPM series and 5" & 8" for RPH series

Base and Insulator Ferrule are hot-dip-galvanized ductile iron.

Catalog Number	Length A	Minimum Ultimate*			Weight (Each)
		Vertical V	Longitudinal L	Transverse T	
Medium Duty 1.5" (38 mm) Dia. Rod					
RPM121	12" (30.5 cm)	2500 lbs. (1125 kg)	1700 lbs. (765 kg)	1700 lbs. (765 kg)	5.4 lbs. (2.4 kg)
RPM131	13" (33 cm)	2500 lbs. (1125 kg)	1600 lbs. (720 kg)	1600 lbs. (720 kg)	5.5 lbs. (2.5 kg)
RPM151	15" (38.1 cm)	2500 lbs. (1125 kg)	1500 lbs. (675 kg)	1500 lbs. (675 kg)	5.8 lbs. (2.6 kg)
RPM181	18" (45.7 cm)	2500 lbs. (1125 kg)	1400 lbs. (630 kg)	1400 lbs. (630 kg)	5.9 lbs. (2.7 kg)
RPM211	21" (53.3 cm)	2500 lbs. (1125 kg)	1200 lbs. (540 kg)	1200 lbs. (540 kg)	6.3 lbs. (2.9 kg)
RPM241	24" (61 cm)	2500 lbs. (1125 kg)	1100 lbs. (495 kg)	1100 lbs. (495 kg)	8.8 lbs. (4.0 kg)
Heavy Duty 2" (51 mm) Dia. Rod					
RPH121	12" (30.5 cm)	2500 lbs. (1125 kg)	2200 lbs. (990 kg)	2200 lbs. (990 kg)	9.8 lbs. (4.4 kg)
RPH181	18" (45.7 cm)	2500 lbs. (1125 kg)	2150 lbs. (968 kg)	2150 lbs. (968 kg)	10.5 lbs. (4.7 kg)
RPH211	21" (53.3 cm)	2500 lbs. (1125 kg)	2000 lbs. (900 kg)	2000 lbs. (900 kg)	11.0 lbs. (4.9 kg)
RPH241	24" (61 cm)	2500 lbs. (1125 kg)	1750 lbs. (788 kg)	1750 lbs. (788 kg)	11.1 lbs. (5.0 kg)
RPH271	27" (68.6 cm)	2500 lbs. (1125 kg)	1500 lbs. (675 kg)	1500 lbs. (675 kg)	12.3 lbs. (5.5 kg)
RPH301	30" (76.2 cm)	2500 lbs. (1125 kg)	1300 lbs. (585 kg)	1300 lbs. (585 kg)	13.9 lbs. (6.3 kg)
RPH361	36" (91.4 cm)	2500 lbs. (1125 kg)	1100 lbs. (495 kg)	1100 lbs. (495 kg)	14.1 lbs. (6.3 kg)

*Recommended maximum working load is 50% of minimum ultimate ratings listed.

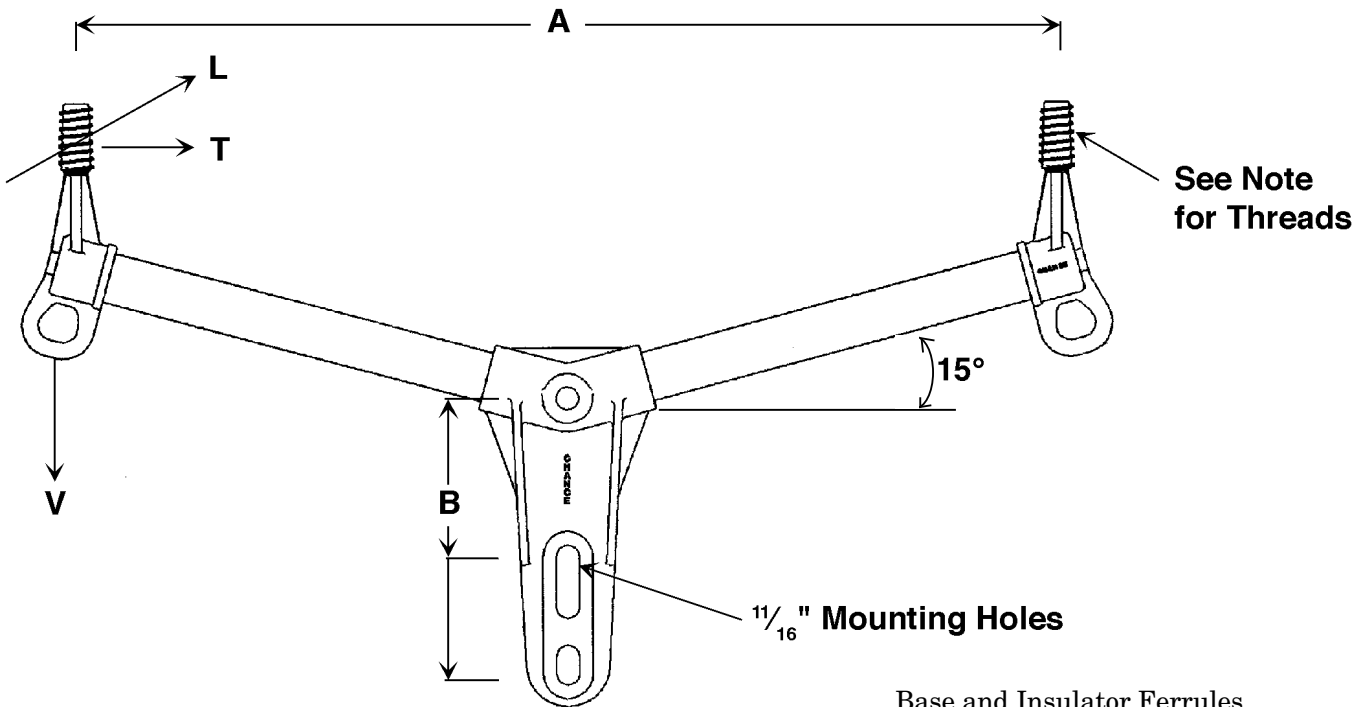
RP—1 series has 1" plastisol coated threads

For 1" lead threads, replace the last "1" in number with "3"

For 1.375" lead threads, replace the last "1" in number with "4"

Consult factory for additional lengths.

Two-Phase Vertical Pin Standoff Bracket



B Dimension is 5", 6" & 8"

Base and Insulator Ferrules
are hot-dip-galvanized
ductile iron.

Catalog Number	Length A	Minimum Ultimate*			Weight (Each)
		Vertical V	Longitudinal L	Transverse T	
Medium Duty 1.5" (38 mm) Dia. Rod					
2SBM30VV1	30" (76.2 cm)	1800 lbs. (810 kg)	1100 lbs. (495 kg)	1500 lbs. (675 kg)	12.3 lbs. (5.5 kg)
2SBM36VV1	36" (91.4 cm)	1500 lbs. (675 kg)	900 lbs. (405 kg)	1500 lbs. (675 kg)	13 lbs. (5.9 kg)
2SBM40VV1	40" (101.6 cm)	1350 lbs. (608 kg)	800 lbs. (360 kg)	1500 lbs. (675 kg)	13.5 lbs. (6.1 kg)
2SBM44VV1	44" (111.8 cm)	1225 lbs. (551 kg)	725 lbs. (326 kg)	1500 lbs. (675 kg)	14 lbs. (6.3 kg)
2SBM48VV1	48" (121.9 cm)	1125 lbs. (506 kg)	675 lbs. (304 kg)	1500 lbs. (675 kg)	14.5 lbs. (6.5 kg)
Heavy Duty 2" (51 mm) Dia. Rod					
2SBH36VV1	36" (91.4 cm)	2550 lbs. (1148 kg)	2000 lbs. (900 kg)	2500 lbs. (1125 kg)	20.8 lbs. (9.4 kg)
2SBH42VV1	42" (106.7 cm)	2400 lbs. (1080 kg)	1700 lbs. (765 kg)	2500 lbs. (1125 kg)	22.1 lbs. (9.9 kg)
2SBH48VV1	48" (121.9 cm)	2250 lbs. (1013 kg)	1500 lbs. (675 kg)	2500 lbs. (1125 kg)	23.5 lbs. (10.6 kg)
2SBH60VV1	60" (152.4 cm)	1950 lbs. (878 kg)	1200 lbs. (540 kg)	2500 lbs. (1125 kg)	26.1 lbs. (11.7 kg)
2SBH72VV1	72" (182.9 cm)	1750 lbs. (788 kg)	1000 lbs. (450 kg)	2500 lbs. (1125 kg)	28.9 lbs. (13 kg)

*Recommended maximum working load is 50% of minimum ultimate ratings listed.

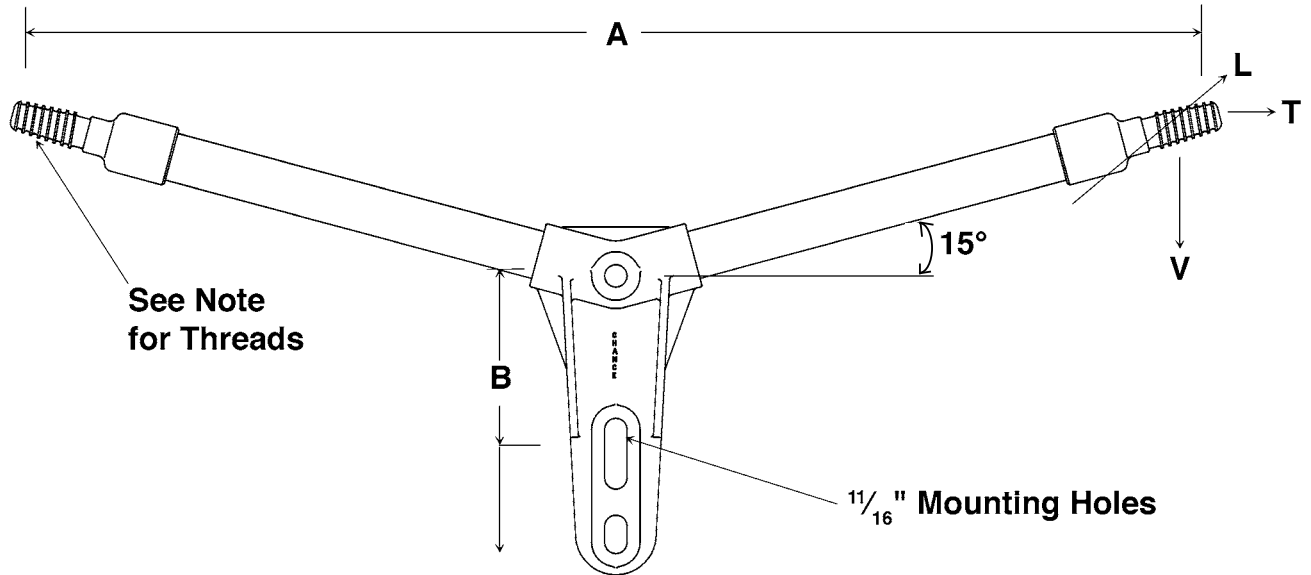
2SB—VV1 series has 1" plastisol coated threads

For 1" lead threads, replace "VV1" in number with "VV3"

For 1.375" lead threads, replace "VV1" in number with "VV4"

Consult factory for additional lengths.

Two-Phase Horizontal Pin Standoff Bracket



B Dimension is 5", 6" & 8"

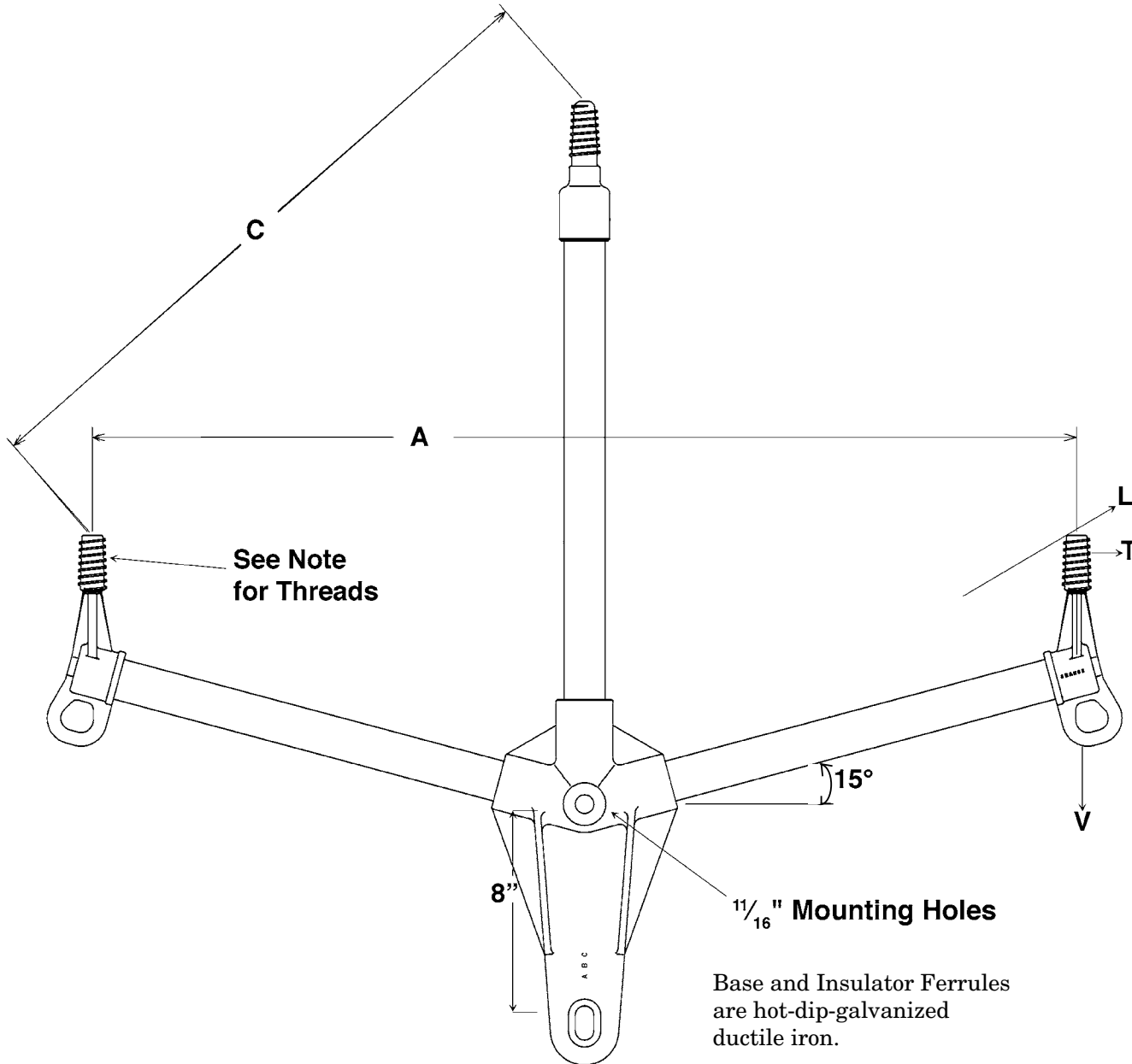
Base and Insulator Ferrules are hot-dip-galvanized ductile iron.

Catalog Number	Length A	Minimum Ultimate*			Weight (Each)
		Vertical V	Longitudinal L	Tranverse T	
Medium Duty 1.5" (38 mm) Dia. Rod					
2SBM36HH1	36" (91.4 cm)	1200 lbs. (540 kg)	1200 lbs. (540 kg)	1500 lbs. (675 kg)	9.8 lbs. (4.4 kg)
Heavy Duty 2" (51 mm) Dia. Rod					
2SBH36HH1	36" (91.4 cm)	2550 lbs. (1148 kg)	2000 lbs. (900 kg)	2500 lbs. (1125 kg)	14.9 lbs. (6.7 kg)
2SBH40HH1	40" (101.6 cm)	2400 lbs. (1080 kg)	1950 lbs. (878 kg)	2500 lbs. (1125 kg)	15.8 lbs. (7.1 kg)
2SBH48HH1	48" (121.9 cm)	2250 lbs. (1013 kg)	1900 lbs. (855 kg)	2500 lbs. (1125 kg)	17.6 lbs. (7.9 kg)

*Recommended maximum working load is 50% of minimum ultimate ratings listed.

2SB—HH1 series has 1" plastisol coated threads
 For 1" lead threads, replace "HH1" in number with "HH3"
 For 1.375" lead threads, replace "HH1" in number with "HH4"
 Consult factory for additional lengths.

Three-Phase Vertical Pin Standoff Bracket



Catalog Number	Length A	Length C	Minimum Ultimate*			Weight (Each)
			Vertical V	Longitudinal L	Transverse T	
Medium Duty 1.5" (38 mm) Dia. Rod						
3SBM3024VV1	30" (76.2 cm)	24" (61 cm)	1500 lbs. (675 kg)	900 lbs. (405 kg)	1500 lbs. (675 kg)	18.7 lbs. (8.4 kg)
3SBM4828VV1	48" (121.9 cm)	28" (71.1 cm)	1350 lbs. (608 kg)	800 lbs. (360 kg)	1500 lbs. (675 kg)	19.8 lbs. (8.9 kg)

*Recommended maximum working load is 50% of minimum ultimate ratings listed.

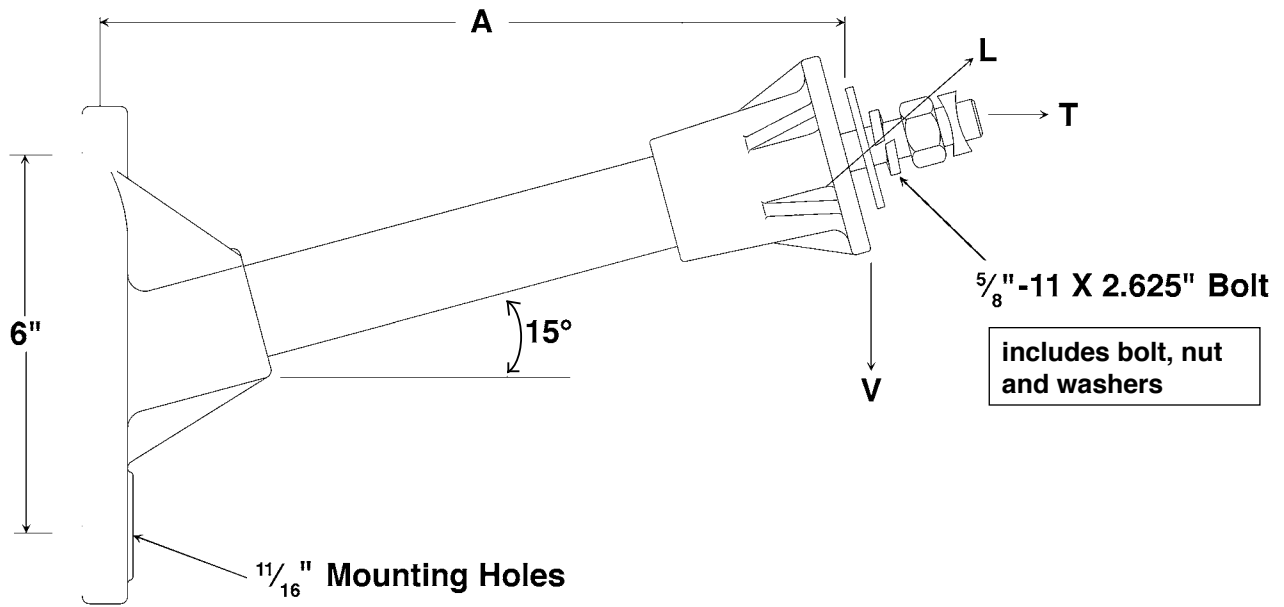
3SBM—VV1 series has 1" plastisol coated threads.

For 1" Lead threads, replace "VV1" in number with "VV3"

For 1.375" Lead threads, replace "VV1" in number with "VV4"

Consult factory for additional lengths.

Communication Standoff Bracket

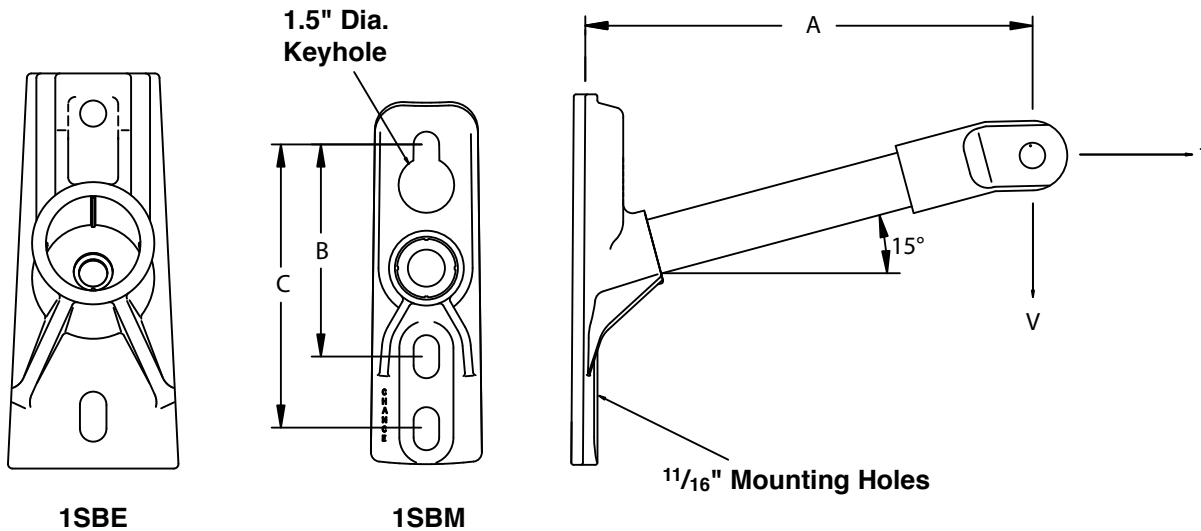


Base and End Ferrule
are aluminum alloy.

Catalog Number	Length A	Minimum Ultimate*			Weight (Each)
		Vertical V	Longitudinal L	Transverse T	
Medium Duty 1.5" (38 mm) Dia. Rod					
1CSM12	12" (30.5 cm)	2100 lbs. (945 kg)	1300 lbs. (585 kg)	1500 lbs. (675 kg)	3.8 lbs. (1.7 kg)
1CSM15	15" (38.1 cm)	1800 lbs. (810 kg)	1200 lbs. (540 kg)	1500 lbs. (675 kg)	4.2 lbs. (1.9 kg)
1CSM18	18" (45.7 cm)	1500 lbs. (675 kg)	1000 lbs. (450 kg)	1500 lbs. (675 kg)	4.6 lbs. (2.1 kg)
1CSM21	21" (53.3 cm)	1300 lbs. (585 kg)	850 lbs. (383 kg)	1500 lbs. (675 kg)	5 lbs. (2.3 kg)
1CSM24	24" (61 cm)	1100 lbs. (495 kg)	700 lbs. (315 kg)	1500 lbs. (675 kg)	5.4 lbs. (2.4 kg)
1CSM30	30" (76.2 cm)	900 lbs. (405 kg)	600 lbs. (270 kg)	1500 lbs. (675 kg)	6.1 lbs. (2.7 kg)
1CSM36	36" (91.4 cm)	900 lbs. (405 kg)	500 lbs. (225 kg)	1500 lbs. (675 kg)	6.8 lbs. (3.1 kg)

*Recommended maximum working load is 50% of minimum ultimate ratings listed.
Consult factory for additional lengths and bases.

Single-Phase Suspension Standoff Bracket



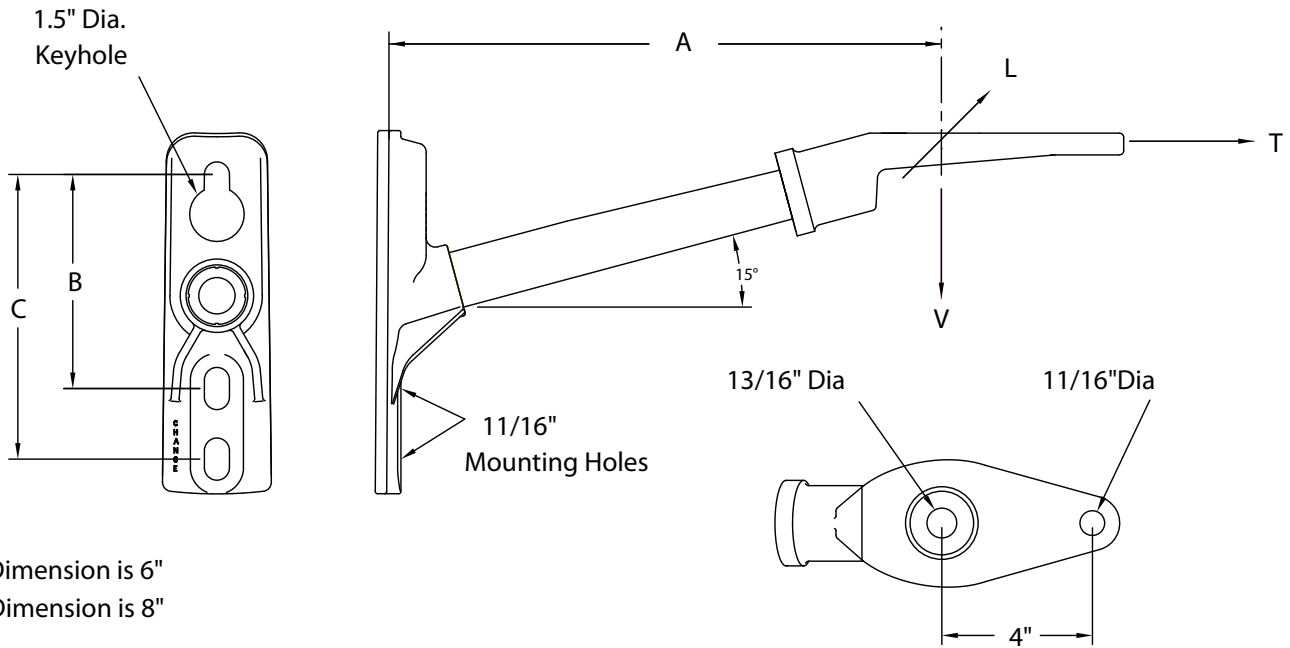
Base and Insulator Ferrule
are hot-dip-galvanized
ductile iron.

B Dimension is 6" for 1SBM series and 8" for 1SBE series
C Dimension is 8" for 1SBM series and 10" for 1SBE series

Catalog Number	Length A	Minimum Ultimate*		Weight (Each)
		Vertical V	Transverse T	
Medium Duty 1.5" (38 mm) Dia. Rod				
1SBM12S	12" (30.5 cm)	1800 lbs. (810 kg)	10000 lbs. (4500 kg)	5.3 lbs. (2.4 kg)
1SBM15S	15" (38.1 cm)	1500 lbs. (675 kg)	10000 lbs. (4500 kg)	5.6 lbs. (2.5 kg)
1SBM18S	18" (45.7 cm)	1200 lbs. (540 kg)	10000 lbs. (4500 kg)	6 lbs. (2.7 kg)
1SBM21S	21" (53.3 cm)	1050 lbs. (473 kg)	10000 lbs. (4500 kg)	6.4 lbs. (2.9 kg)
1SBM24S	24" (61 cm)	900 lbs. (405 kg)	10000 lbs. (4500 kg)	6.7 lbs. (3 kg)
Extra Heavy Duty 2.5" (63.5 mm) Dia. Rod				
1SBE20S	20" (50.8 cm)	5000 lbs. (2250 kg)	10000 lbs. (4500 kg)	12.1 lbs. (5.4 kg)
1SBE24S	24" (61 cm)	4000 lbs. (1800 kg)	10000 lbs. (4500 kg)	13.5 lbs. (6.1 kg)
1SBE27S	27" (68.6 cm)	3700 lbs. (1665 kg)	10000 lbs. (4500 kg)	14.5 lbs. (6.5 kg)
1SBE30S	30" (76.2 cm)	3500 lbs. (1575 kg)	10000 lbs. (4500 kg)	15.5 lbs. (7 kg)
1SBE36S	36" (91.4 cm)	3000 lbs. (1350 kg)	10000 lbs. (4500 kg)	17.6 lbs. (7.9 kg)

*Recommended maximum working load is 50% of minimum ultimate ratings listed.
Consult factory for additional lengths.

Fiberglass Single-Phase/Single Position Cutout / Arrester Bracket

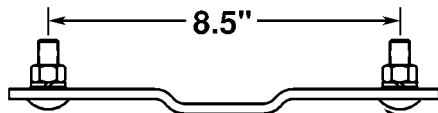


B Dimension is 6"
C Dimension is 8"

Catalog Number	Length A	Minimum Ultimate*			Weight (Each)
		Vertical V	Longitudinal L	Transverse T	
Medium Duty 1.5" (38 mm) Dia. Rod					
1SBM18TD	18" (45.7 cm)	1200 lbs. (540 kg)	900 lbs. (405 kg)	10000 lbs. (4500 kg)	10 lbs. (4.5 kg)
1SBM24TD	24" (61 cm)	900 lbs. (405 kg)	700 lbs. (315 kg)	10000 lbs. (4500 kg)	11.2 lbs. (5.0 kg)

*Recommended maximum working load is 50% of minimum ultimate ratings listed.
Consult factory for additional lengths.

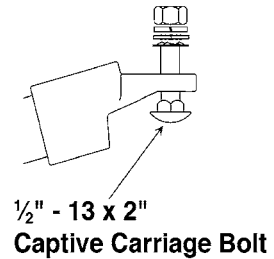
1 (2) Position Single-Phase Cutout / Arrester Bracket



1SBM-AMSB Series
includes Spacer Bar

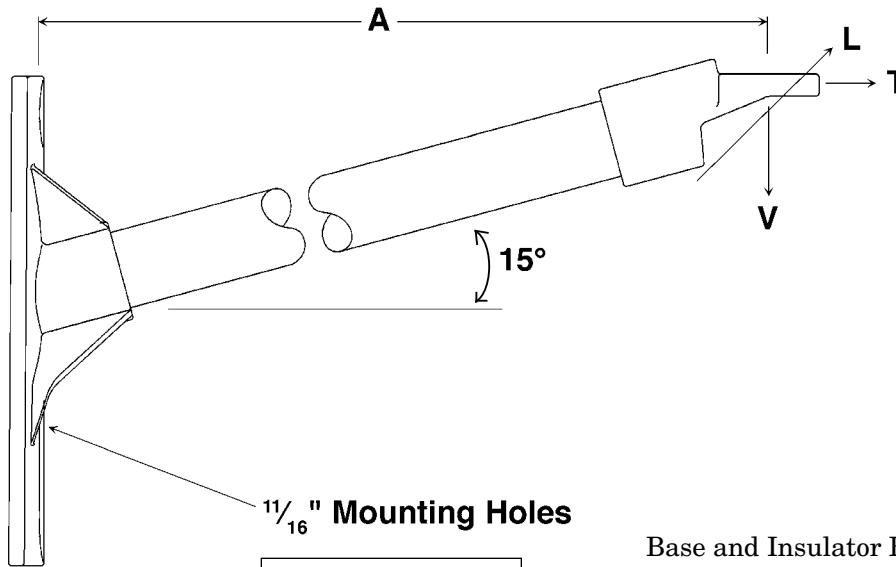
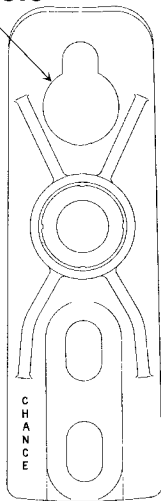
T653-1343 - Spacer
Bar Assembly only

1SBM-AMB Series
includes bolt



1.5" Dia.
Keyhole

B



1SBM-AM Series

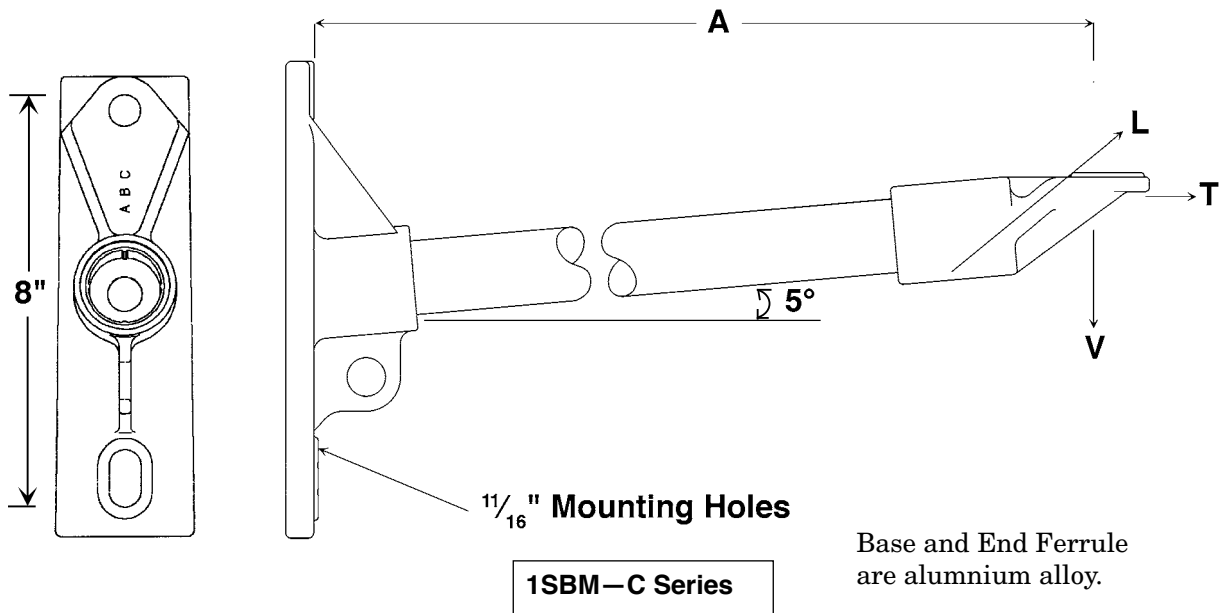
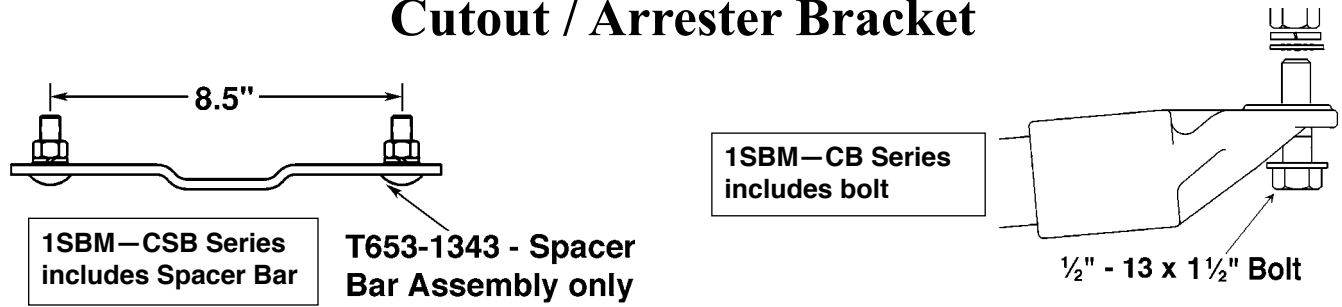
Base and Insulator Ferrule
are hot-dip-galvanized
ductile iron.

B Dimension is 6" & 8"

Catalog Number	Length A	Minimum Ultimate*			Weight (Each)
		Vertical V	Longitudinal L	Transverse T	
Medium Duty 1.5" (38 mm) Dia. Rod					
1SBM15AM	15" (38.1 cm)	1500 lbs. (675 kg)	1100 lbs. (495 kg)	1500 lbs. (675 kg)	6.6 lbs. (3 kg)
1SBM18AM	18" (45.7 cm)	1200 lbs. (540 kg)	950 lbs. (428 kg)	1500 lbs. (675 kg)	7 lbs. (3.2 kg)
1SBM21AM	21" (53.3 cm)	1000 lbs. (450 kg)	800 lbs. (360 kg)	1500 lbs. (675 kg)	7.4 lbs. (3.3 kg)
1SBM24AM	24" (61 cm)	900 lbs. (405 kg)	700 lbs. (315 kg)	1500 lbs. (675 kg)	7.8 lbs. (3.5 kg)
1SBM15AMB	15" (38.1 cm)	1500 lbs. (675 kg)	1100 lbs. (495 kg)	1500 lbs. (675 kg)	6.6 lbs. (3 kg)
1SBM18AMB	18" (45.7 cm)	1200 lbs. (540 kg)	950 lbs. (428 kg)	1500 lbs. (675 kg)	7 lbs. (3.2 kg)
1SBM21AMB	21" (53.3 cm)	1000 lbs. (450 kg)	800 lbs. (360 kg)	1500 lbs. (675 kg)	7.4 lbs. (3.3 kg)
1SBM24AMB	24" (61 cm)	900 lbs. (405 kg)	700 lbs. (315 kg)	1500 lbs. (675 kg)	7.8 lbs. (3.5 kg)
1SBM15AMSB	15" (38.1 cm)	1500 lbs. (675 kg)	1100 lbs. (495 kg)	1500 lbs. (675 kg)	6.6 lbs. (3 kg)
1SBM18AMSB	18" (45.7 cm)	1200 lbs. (540 kg)	950 lbs. (428 kg)	1500 lbs. (675 kg)	7 lbs. (3.2 kg)
1SBM21AMSB	21" (53.3 cm)	1000 lbs. (450 kg)	800 lbs. (360 kg)	1500 lbs. (675 kg)	7.4 lbs. (3.3 kg)
1SBM24AMSB	24" (61 cm)	900 lbs. (405 kg)	700 lbs. (315 kg)	1500 lbs. (675 kg)	7.8 lbs. (3.5 kg)

*Recommended maximum working load is 50% of minimum ultimate ratings listed.
Consult factory for additional lengths.

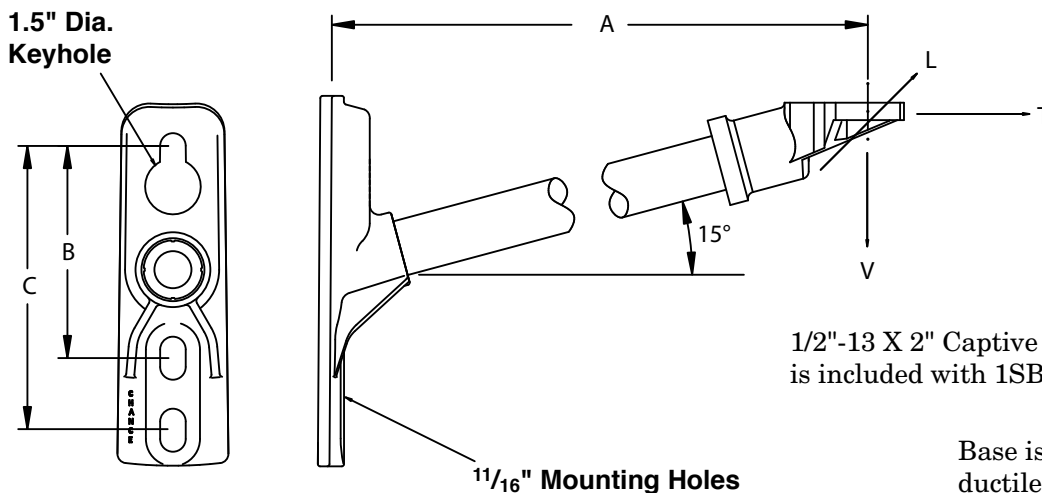
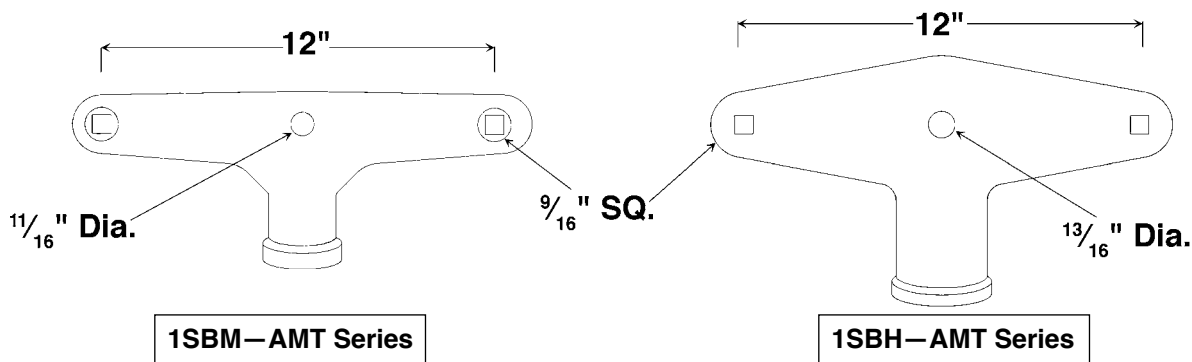
1 (2) Position Single-Phase Cutout / Arrester Bracket



Catalog Number	Length A	Minimum Ultimate*			Weight (Each)
		Vertical V	Longitudinal L	Transverse T	
Medium Duty 1.5" (38 mm) Dia. Rod					
1SBM12C	12" (30.5 cm)	2100 lbs. (945 kg)	900 lbs. (405 kg)	1500 lbs. (675 kg)	3.6 lbs. (1.6 kg)
1SBM15C	15" (38.1 cm)	1800 lbs. (810 kg)	800 lbs. (360 kg)	1500 lbs. (675 kg)	4 lbs. (1.8 kg)
1SBM18C	18" (45.7 cm)	1500 lbs. (675 kg)	700 lbs. (315 kg)	1500 lbs. (675 kg)	4.4 lbs. (2 kg)
1SBM21C	21" (53.3 cm)	1200 lbs. (540 kg)	600 lbs. (270 kg)	1500 lbs. (675 kg)	4.7 lbs. (2.1 kg)
1SBM12CB	12" (30.5 cm)	2100 lbs. (945 kg)	900 lbs. (405 kg)	1500 lbs. (675 kg)	3.6 lbs. (1.6 kg)
1SBM15CB	15" (38.1 cm)	1800 lbs. (810 kg)	800 lbs. (360 kg)	1500 lbs. (675 kg)	4 lbs. (1.8 kg)
1SBM18CB	18" (45.7 cm)	1500 lbs. (675 kg)	700 lbs. (315 kg)	1500 lbs. (675 kg)	4.4 lbs. (2 kg)
1SBM21CB	21" (53.3 cm)	1200 lbs. (540 kg)	600 lbs. (270 kg)	1500 lbs. (675 kg)	4.7 lbs. (2.1 kg)
1SBM12CSB	12" (30.5 cm)	2100 lbs. (945 kg)	900 lbs. (405 kg)	1500 lbs. (675 kg)	3.6 lbs. (1.6 kg)
1SBM15CSB	15" (38.1 cm)	1800 lbs. (810 kg)	800 lbs. (360 kg)	1500 lbs. (675 kg)	4 lbs. (1.8 kg)
1SBM18CSB	18" (45.7 cm)	1500 lbs. (675 kg)	700 lbs. (315 kg)	1500 lbs. (675 kg)	4.4 lbs. (2 kg)
1SBM21CSB	21" (53.3 cm)	1200 lbs. (540 kg)	600 lbs. (270 kg)	1500 lbs. (675 kg)	4.7 lbs. (2.1 kg)

*Recommended maximum working load is 50% of minimum ultimate ratings listed.
Consult factory for additional lengths.

2 Position Single-Phase Cutout / Arrester Bracket



1/2"-13 X 2" Captive Carriage Bolt is included with 1SB--AMTB only

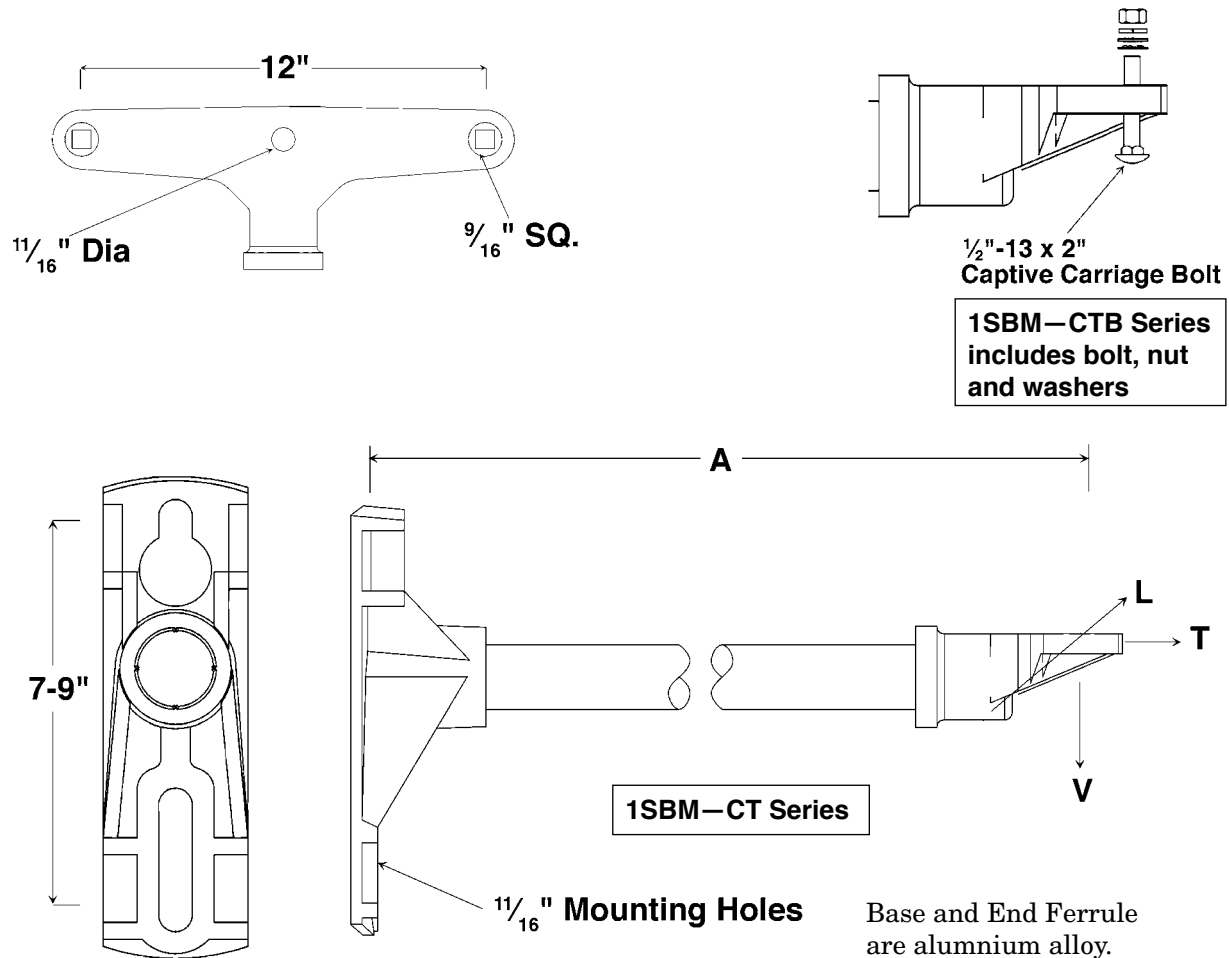
Base is hot-dip galvanized ductile iron and Apparatus Ferrule is aluminum alloy.

B Dimension is 6" for 1SBM series and 8" for 1SBH series
 C Dimension is 8" for 1SBM series and 10" for 1SBH series

Catalog Number	Length A	Minimum Ultimate*			Weight (Each)
		Vertical V	Longitudinal L	Transverse T	
Medium Duty 1.5" (38 mm) Dia. Rod					
1SBM12AMT	12" (30.5 cm)	1800 lbs. (810 kg)	1400 lbs. (630 kg)	10,000 lbs. (4500 kg)	6.6 lbs. (3 kg)
1SBM15AMT	15" (38.1 cm)	1500 lbs. (675 kg)	1100 lbs. (495 kg)	10,000 lbs. (4500 kg)	7 lbs. (3.2 kg)
1SBM18AMT	18" (45.7 cm)	1200 lbs. (540 kg)	950 lbs. (428 kg)	10,000 lbs. (4500 kg)	7.4 lbs. (3.3 kg)
1SBM24AMT	24" (61 cm)	900 lbs. (405 kg)	700 lbs. (315 kg)	10,000 lbs. (4500 kg)	7.8 lbs. (3.5 kg)
1SBM12AMTB	12" (30.5 cm)	1800 lbs. (810 kg)	1400 lbs. (630 kg)	10,000 lbs. (4500 kg)	6.6 lbs. (3 kg)
1SBM15AMTB	15" (38.1 cm)	1500 lbs. (675 kg)	1100 lbs. (495 kg)	10,000 lbs. (4500 kg)	7 lbs. (3.2 kg)
1SBM18AMTB	18" (45.7 cm)	1200 lbs. (540 kg)	950 lbs. (428 kg)	10,000 lbs. (4500 kg)	7.4 lbs. (3.3 kg)
1SBM24AMTB	24" (61 cm)	900 lbs. (405 kg)	700 lbs. (315 kg)	10,000 lbs. (4500 kg)	7.8 lbs. (3.5 kg)
Heavy Duty 2" (51 mm) Dia. Rod					
1SBH18AMT	18" (45.7 cm)	2250 lbs. (1012 kg)	1400 lbs. (630 kg)	10,000 lbs. (4500 kg)	9.6 lbs. (4.3 kg)
1SBH21AMT	21" (53.3 cm)	2100 lbs. (945 kg)	1250 lbs. (562 kg)	10,000 lbs. (4500 kg)	10 lbs. (4.5 kg)
1SBH24AMT	24" (61 cm)	1900 lbs. (855 kg)	1100 lbs. (495 kg)	10,000 lbs. (4500 kg)	10.4 lbs. (4.7 kg)
1SBH18AMTB	18" (45.7 cm)	2250 lbs. (1012 kg)	1400 lbs. (630 kg)	10,000 lbs. (4500 kg)	9.6 lbs. (4.3 kg)
1SBH21AMTB	21" (53.3 cm)	2100 lbs. (945 kg)	1250 lbs. (562 kg)	10,000 lbs. (4500 kg)	10 lbs. (4.5 kg)
1SBH24AMTB	24" (61 cm)	1900 lbs. (855 kg)	1100 lbs. (495 kg)	10,000 lbs. (4500 kg)	10.4 lbs. (4.7 kg)

*Recommended maximum working load is 50% of minimum ultimate ratings listed.
 Consult factory for additional lengths.

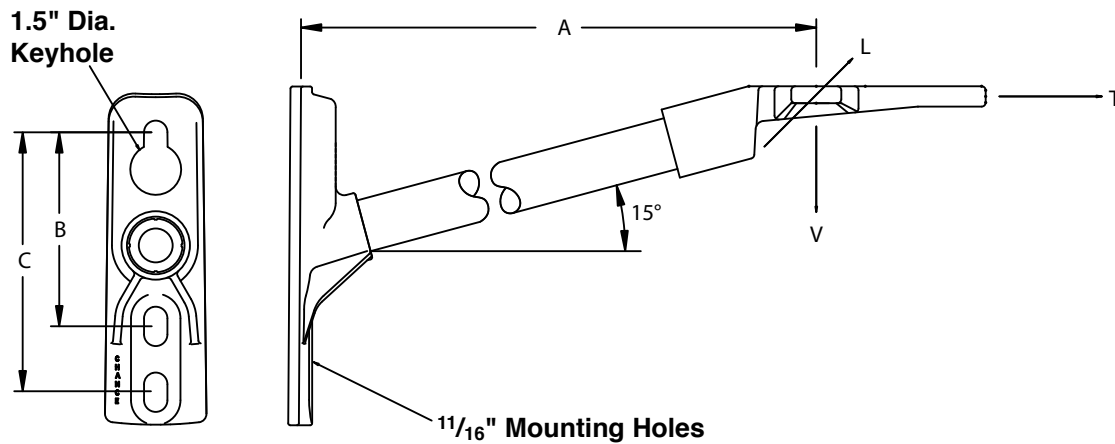
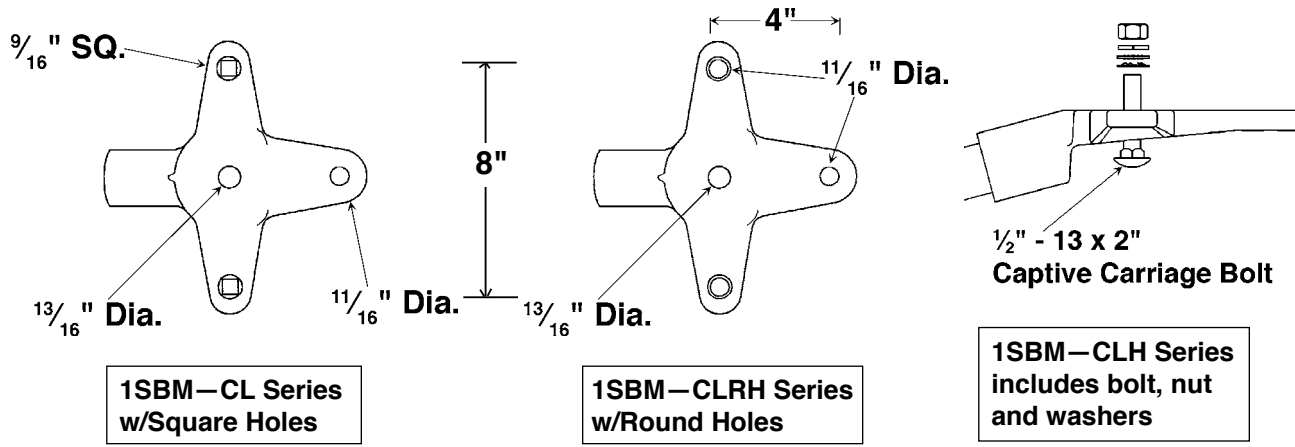
2 Position Single-Phase Cutout / Arrester Bracket



Catalog Number	Length A	Minimum Ultimate*			Weight (Each)
		Vertical V	Longitudinal L	Transverse T	
Medium Duty 1.5" (38 mm) Dia. Rod					
1SBM12CT	12" (30.5 cm)	1800 lbs. (810 kg)	1400 lbs. (630 kg)	10,000 lbs. (4500 kg)	3.6 lbs. (1.6 kg)
1SBM15CT	15" (38.1 cm)	1500 lbs. (675 kg)	1200 lbs. (540 kg)	10,000 lbs. (4500 kg)	4 lbs. (1.8 kg)
1SBM18CT	18" (45.7 cm)	1200 lbs. (540 kg)	1000 lbs. (450 kg)	10,000 lbs. (4500 kg)	4.4 lbs. (2 kg)
1SBM21CT	21" (53.3 cm)	1050 lbs. (472 kg)	700 lbs. (315 kg)	10,000 lbs. (4500 kg)	4.7 lbs. (2.1 kg)
1SBM24CT	24" (61 cm)	900 lbs. (405 kg)	500 lbs. (225 kg)	10,000 lbs. (4500 kg)	5 lbs. (2.3 kg)
1SBM12CTB	12" (30.5 cm)	1800 lbs. (810 kg)	1400 lbs. (630 kg)	10,000 lbs. (4500 kg)	3.6 lbs. (1.6 kg)
1SBM15CTB	15" (38.1 cm)	1500 lbs. (675 kg)	1200 lbs. (540 kg)	10,000 lbs. (4500 kg)	4 lbs. (1.8 kg)
1SBM18CTB	18" (45.7 cm)	1200 lbs. (540 kg)	1000 lbs. (450 kg)	10,000 lbs. (4500 kg)	4.4 lbs. (2 kg)
1SBM21CTB	21" (53.3 cm)	1050 lbs. (472 kg)	700 lbs. (315 kg)	10,000 lbs. (4500 kg)	4.7 lbs. (2.1 kg)
1SBM24CTB	24" (61 cm)	900 lbs. (405 kg)	500 lbs. (225 kg)	10,000 lbs. (4500 kg)	5 lbs. (2.3 kg)

*Recommended maximum working load is 50% of minimum ultimate ratings listed.
Consult factory for additional lengths.

3 Position (Cloverleaf) Single-Phase Cutout / Arrester Bracket



Base is hot-dip galvanized ductile iron and Apparatus Ferrule is aluminum alloy.

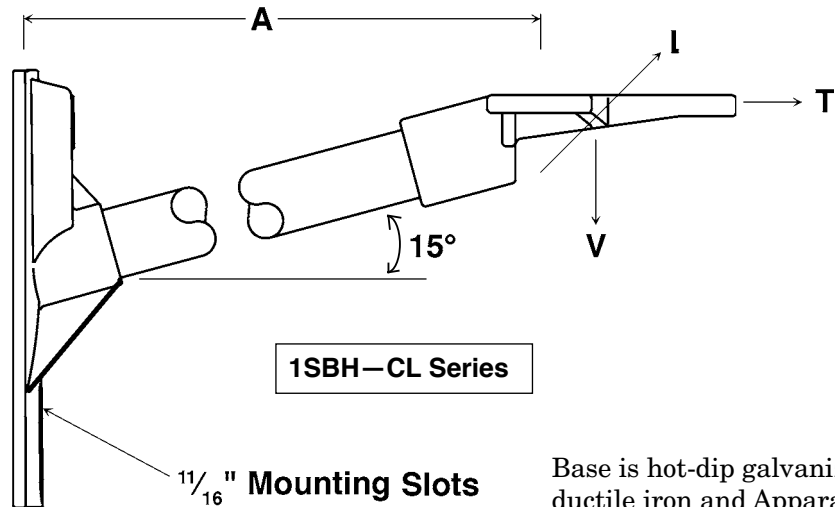
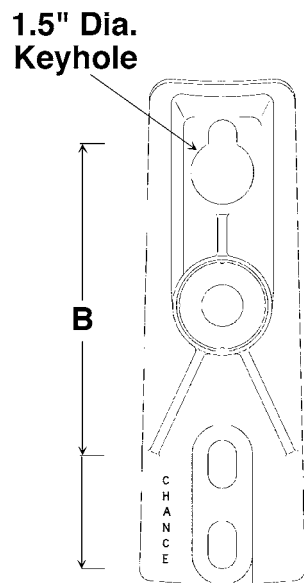
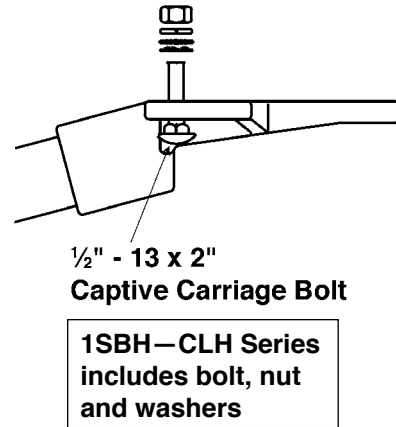
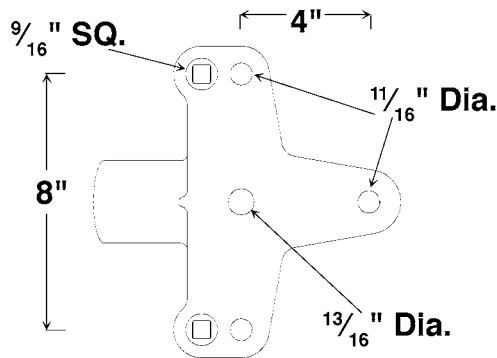
B Dimension is 6"
C Dimension is 8"

Catalog Number	Length A	Minimum Ultimate*			Weight (Each)
		Vertical V	Longitudinal L	Transverse T	
Medium Duty 1.5" (38 mm) Dia. Rod					
1SBM12CL	12" (30.5 cm)	1800 lbs. (810 kg)	1400 lbs. (630 kg)	10000 lbs. (4500 kg)	6.6 lbs. (3 kg)
1SBM18CL	18" (45.7 cm)	1200 lbs. (540 kg)	950 lbs. (428 kg)	10000 lbs. (4500 kg)	7.4 lbs. (3.3 kg)
1SBM12CLH	12" (30.5 cm)	1800 lbs. (810 kg)	1400 lbs. (630 kg)	10000 lbs. (4500 kg)	6.6 lbs. (3 kg)
1SBM18CLH	18" (45.7 cm)	1200 lbs. (540 kg)	950 lbs. (428 kg)	10000 lbs. (4500 kg)	7.4 lbs. (3.3 kg)
1SBM12CLRH	12" (30.5 cm)	1800 lbs. (810 kg)	1400 lbs. (630 kg)	10000 lbs. (4500 kg)	6.6 lbs. (3 kg)
1SBM18CLRH	18" (45.7 cm)	1200 lbs. (540 kg)	950 lbs. (428 kg)	10000 lbs. (4500 kg)	7.4 lbs. (3.3 kg)

*Recommended maximum working load is 50% of minimum ultimate ratings listed.

Consult factory for additional lengths.

3 Position (Cloverleaf) Single-Phase Cutout / Arrester Bracket



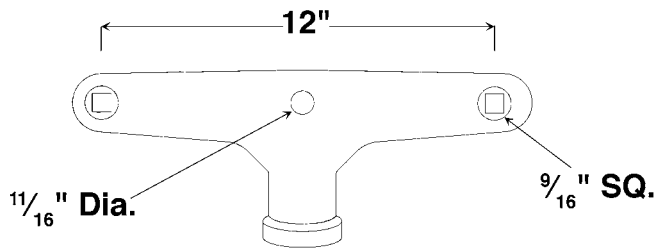
Base is hot-dip galvanized ductile iron and Apparatus Ferrule is aluminum alloy.

B Dimension is 8" & 10"

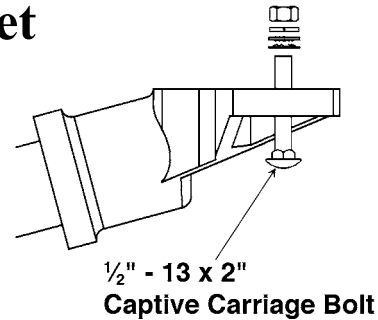
Catalog Number	Length A	Minimum Ultimate*			Weight (Each)
		Vertical V	Longitudinal L	Transverse T	
Heavy Duty 2" (51 mm) Dia. Rod					
1SBH18CL	18" (45.7 cm)	2250 lbs. (1013 kg)	1400 lbs. (630 kg)	10000 lbs. (4500 kg)	10.6 lbs. (4.8 kg)
1SBH21CL	21" (53.3 cm)	2000 lbs. (900 kg)	1250 lbs. (563 kg)	10000 lbs. (4500 kg)	11.2 lbs. (5 kg)
1SBH24CL	24" (61 cm)	1750 lbs. (788 kg)	1100 lbs. (495 kg)	10000 lbs. (4500 kg)	11.9 lbs. (5.4 kg)
1SBH18CLH	18" (45.7 cm)	2250 lbs. (1013 kg)	1400 lbs. (630 kg)	10000 lbs. (4500 kg)	10.6 lbs. (4.8 kg)
1SBH21CLH	21" (53.3 cm)	2000 lbs. (900 kg)	1250 lbs. (563 kg)	10000 lbs. (4500 kg)	11.2 lbs. (5 kg)
1SBH24CLH	24" (61 cm)	1750 lbs. (788 kg)	1100 lbs. (495 kg)	10000 lbs. (4500 kg)	11.9 lbs. (5.4 kg)

*Recommended maximum working load is 50% of minimum ultimate ratings listed.
Consult factory for additional lengths.

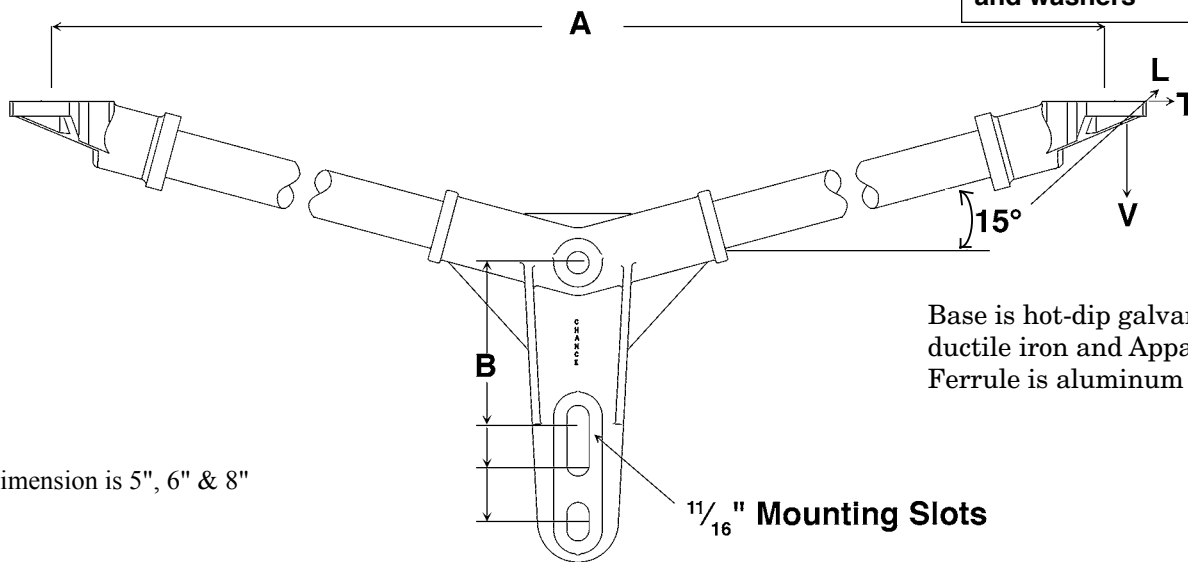
2 Position Two-Phase Cutout / Arrester Bracket



2SBM—AMT Series



**2SB—AMTB Series
includes bolt, nut
and washers**



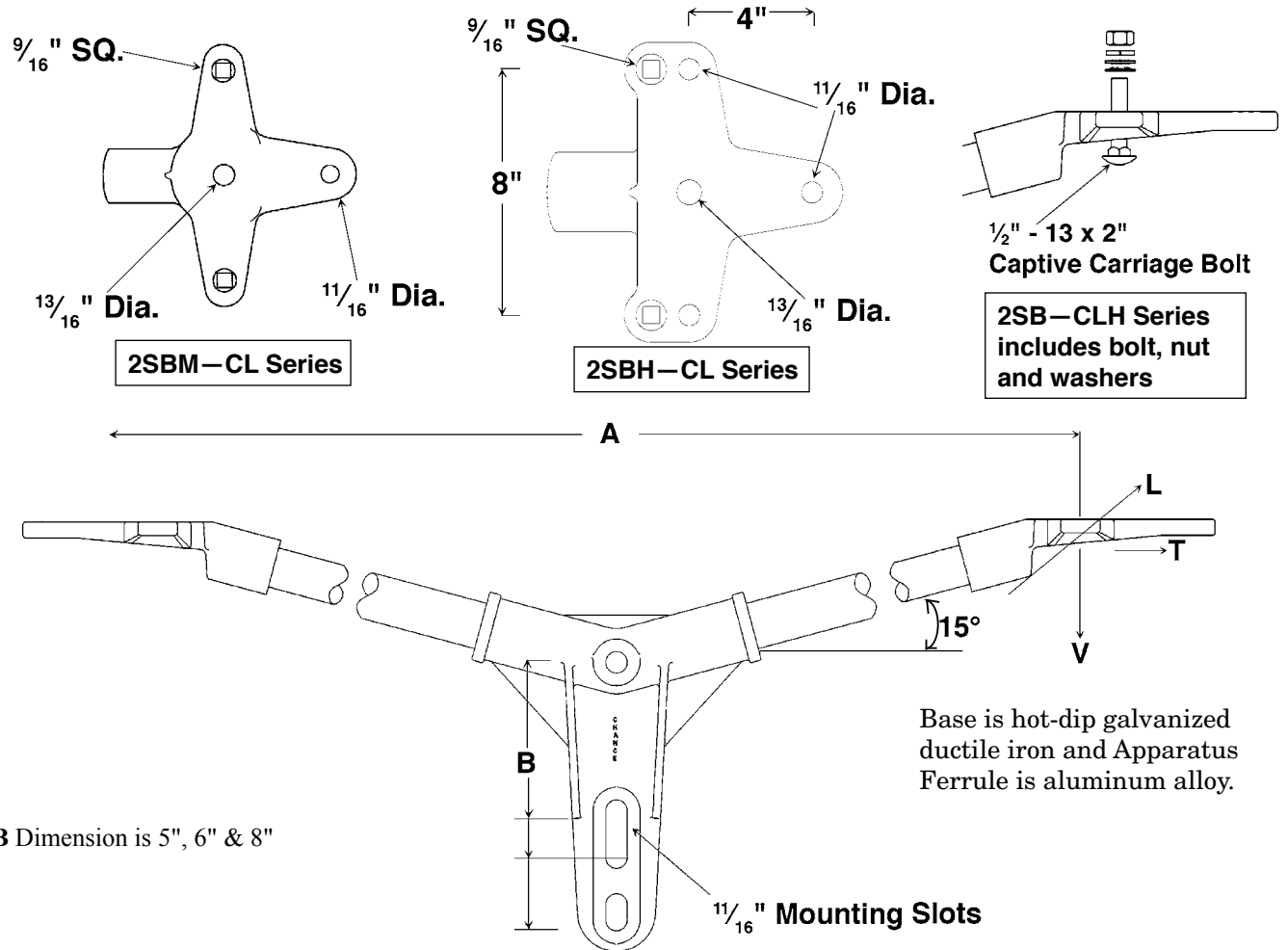
Base is hot-dip galvanized ductile iron and Apparatus Ferrule is aluminum alloy.

B Dimension is 5", 6" & 8"

Catalog Number	Length A	Minimum Ultimate*			Weight (Each)
		Vertical V	Longitudinal L	Transverse T	
Medium Duty 1.5" (38 mm) Dia. Rod					
2SBM36AMTAMT	36" (91.4 cm)	1200 lbs. (540 kg)	900 lbs. (405 kg)	10,000 lbs. (4500 kg)	12.6 lbs. (5.7 kg)
2SBM42AMTAMT	42" (106.7 cm)	950 lbs. (428 kg)	700 lbs. (315 kg)	10,000 lbs. (4500 kg)	13.3 lbs. (6 kg)
2SBM48AMTAMT	48" (121.9 cm)	900 lbs. (405 kg)	500 lbs. (225 kg)	10,000 lbs. (4500 kg)	14.1 lbs. (6.3 kg)
2SBM36AMTBAMTB	36" (91.4 cm)	1200 lbs. (540 kg)	900 lbs. (405 kg)	10,000 lbs. (4500 kg)	12.6 lbs. (5.7 kg)
2SBM42AMTBAMTB	42" (106.7 cm)	950 lbs. (428 kg)	700 lbs. (315 kg)	10,000 lbs. (4500 kg)	13.3 lbs. (6 kg)
2SBM48AMTBAMTB	48" (121.9 cm)	900 lbs. (405 kg)	600 lbs. (270 kg)	10,000 lbs. (4500 kg)	14.1 lbs. (6.3 kg)
Heavy Duty 2" (51 mm) Dia. Rod					
2SBH36AMTAMT	36" (91.4 cm)	2300 lbs. (1035 kg)	1800 lbs. (810 kg)	10,000 lbs. (4500 kg)	20.2 lbs. (9.1 kg)
2SBH42AMTAMT	42" (106.7 cm)	2000 lbs. (900 kg)	1600 lbs. (720 kg)	10,000 lbs. (4500 kg)	21.3 lbs. (9.6 kg)
2SBH48AMTAMT	48" (121.9 cm)	1750 lbs. (788 kg)	1400 lbs. (630 kg)	10,000 lbs. (4500 kg)	23.7 lbs. (10.7 kg)
2SBH36AMTBAMTB	36" (91.4 cm)	2300 lbs. (1035 kg)	1800 lbs. (810 kg)	10,000 lbs. (4500 kg)	20.2 lbs. (9.1 kg)
2SBH42AMTBAMTB	42" (106.7 cm)	2000 lbs. (900 kg)	1600 lbs. (720 kg)	10,000 lbs. (4500 kg)	21.3 lbs. (9.6 kg)
2SBH48AMTBAMTB	48" (121.9 cm)	1750 lbs. (788 kg)	1400 lbs. (630 kg)	10,000 lbs. (4500 kg)	23.7 lbs. (10.7 kg)

*Recommended maximum working load is 50% of minimum ultimate ratings listed.
Consult factory for additional lengths.

3 Position (Cloverleaf) Two-Phase Cutout / Arrester Bracket



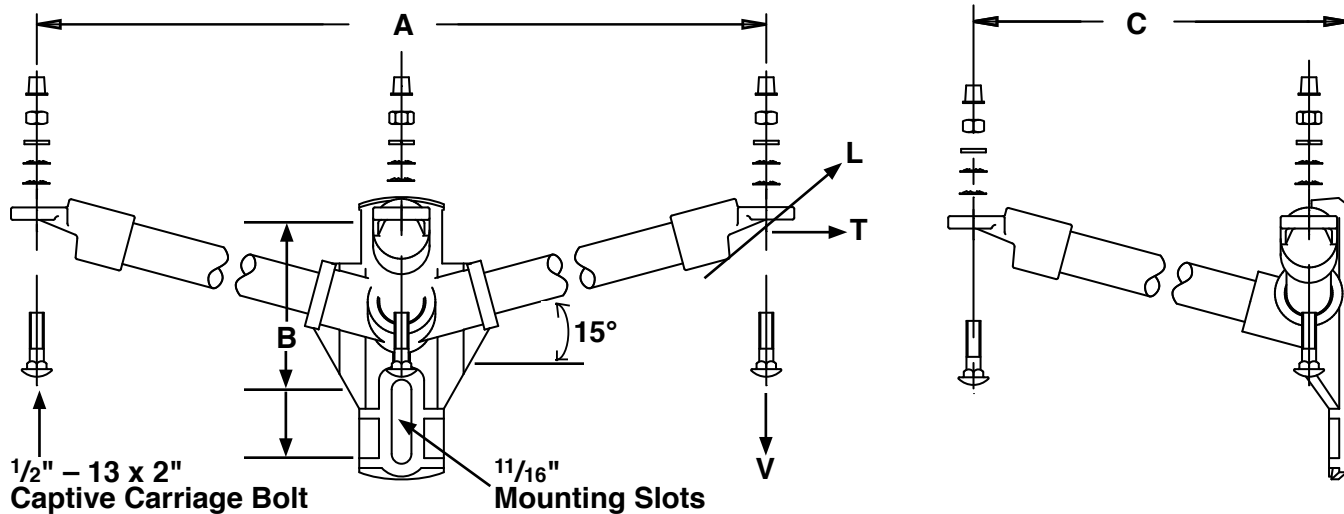
B Dimension is 5", 6" & 8"

Catalog Number	Length A	Minimum Ultimate*			Weight (Each)
		Vertical V	Longitudinal L	Transverse T	
Medium Duty 1.5" (38 mm) Dia. Rod					
2SBM36CLCL	36" (91.4 cm)	1200 lbs. (540 kg)	900 lbs. (405 kg)	10000 lbs. (4500 kg)	12.6 lbs. (5.7 kg)
2SBM42CLCL	42" (106.7 cm)	950 lbs. (428 kg)	700 lbs. (315 kg)	10000 lbs. (4500 kg)	13.3 lbs. (6 kg)
2SBM48CLCL	48" (121.9 cm)	900 lbs. (405 kg)	500 lbs. (225 kg)	10000 lbs. (4500 kg)	14.1 lbs. (6.3 kg)
2SBM36CLHCLH	36" (91.4 cm)	1200 lbs. (540 kg)	900 lbs. (405 kg)	10000 lbs. (4500 kg)	12.6 lbs. (5.7 kg)
2SBM42CLHCLH	42" (106.7 cm)	950 lbs. (428 kg)	700 lbs. (315 kg)	10000 lbs. (4500 kg)	13.3 lbs. (6 kg)
2SBM48CLHCLH	48" (121.9 cm)	900 lbs. (405 kg)	600 lbs. (270 kg)	10000 lbs. (4500 kg)	14.1 lbs. (6.3 kg)
Heavy Duty 2" (51 mm) Dia. Rod					
2SBH36CLCL	36" (91.4 cm)	2600 lbs. (1170 kg)	1900 lbs. (855 kg)	10000 lbs. (4500 kg)	20.2 lbs. (9.1 kg)
2SBH42CLCL	42" (106.7 cm)	2400 lbs. (1080 kg)	1900 lbs. (855 kg)	10000 lbs. (4500 kg)	21.3 lbs. (9.6 kg)
2SBH48CLCL	48" (121.9 cm)	2200 lbs. (990 kg)	1850 lbs. (833 kg)	10000 lbs. (4500 kg)	23.7 lbs. (10.7 kg)
2SBH36CLHCLH	36" (91.4 cm)	2600 lbs. (1170 kg)	1900 lbs. (855 kg)	10000 lbs. (4500 kg)	20.2 lbs. (9.1 kg)
2SBH42CLHCLH	42" (106.7 cm)	2400 lbs. (1080 kg)	1900 lbs. (855 kg)	10000 lbs. (4500 kg)	21.3 lbs. (9.6 kg)
2SBH48CLHCLH	48" (121.9 cm)	2200 lbs. (990 kg)	1850 lbs. (833 kg)	10000 lbs. (4500 kg)	23.7 lbs. (10.7 kg)

*Recommended maximum working load is 50% of minimum ultimate ratings listed.

Consult factory for additional lengths.

1 Position Three-Phase Cutout / Arrester Bracket



**3SBM—AMB Series
includes bolt, nut
and washers**

Base is aluminum alloy and
Mounting Ferrules are hot-dip
galvanized ductile iron.

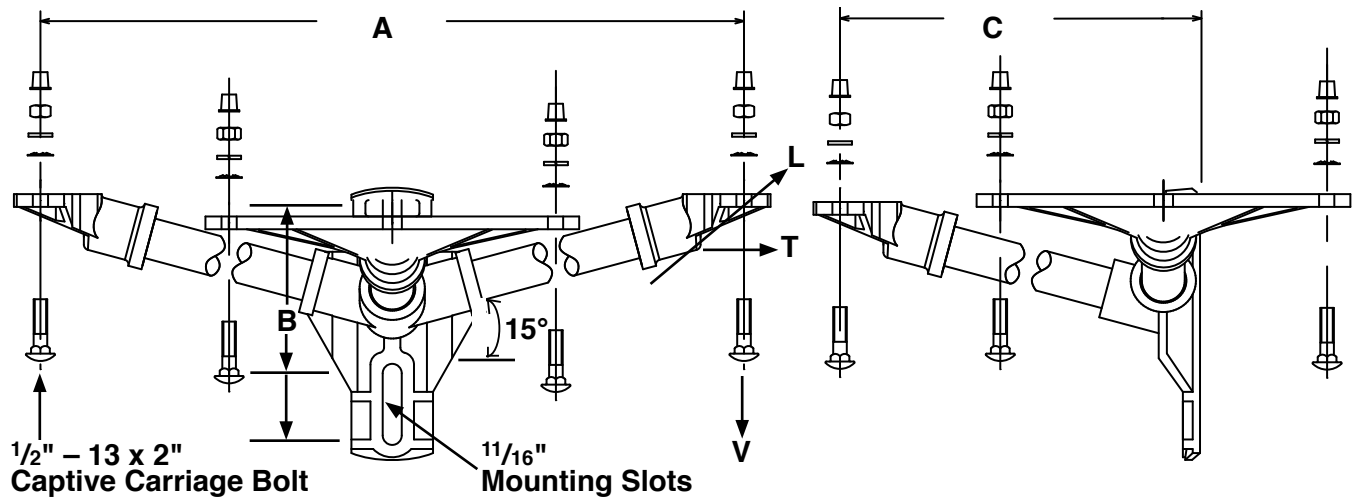
B Dimension is 6" & 8"

Catalog Number	Length A	Length C	Minimum Ultimate*			Weight (Each)
			Vertical V	Longitudinal L	Transverse T	
Medium Duty 1.5" (38 mm) Dia. Rod						
3SBM3613AM	36" (91.4 cm)	13" (33 cm)	1200 lbs (540 kg)	800 lbs. (360 kg)	1500 lbs. (675 kg)	11.5 lbs. (5.2 kg)
3SBM3618AM	36" (91.4 cm)	18" (45.7 cm)	1200 lbs (540 kg)	800 lbs. (360 kg)	1500 lbs. (675 kg)	12.2 lbs. (5.5 kg)
3SBM4818AM	48" (121.9 cm)	18" (45.7 cm)	900 lbs. (405 kg)	700 lbs. (315 kg)	1500 lbs. (675 kg)	14.4 lbs. (6.5 kg)
3SBM4824AM	48" (121.9 cm)	24" (61 cm)	900 lbs. (405 kg)	700 lbs. (315 kg)	1500 lbs. (675 kg)	15.2 lbs. (6.9 kg)
3SBM3613AMB	36" (91.4 cm)	13" (33 cm)	1200 lbs (540 kg)	800 lbs. (360 kg)	1500 lbs. (675 kg)	12.0 lbs. (5.4 kg)
3SBM3618AMB	36" (91.4 cm)	18" (45.7 cm)	1200 lbs (540 kg)	800 lbs. (360 kg)	1500 lbs. (675 kg)	12.7 lbs. (5.8 kg)
3SBM4818AMB	48" (121.9 cm)	18" (45.7 cm)	900 lbs. (405 kg)	700 lbs. (315 kg)	1500 lbs. (675 kg)	14.9 lbs. (6.8 kg)
3SBM4824AMB	48" (121.9 cm)	24" (61 cm)	900 lbs. (405 kg)	700 lbs. (315 kg)	1500 lbs. (675 kg)	15.7 lbs. (7.1 kg)

*Recommended maximum working load is 50% of minimum ultimate ratings listed.

Consult factory for additional lengths.

2 Position Three-Phase Cutout / Arrester Bracket



3SBM—AMTB Series
includes bolt, nut
and washers

Base and Mounting Ferrules
are aluminum alloy.

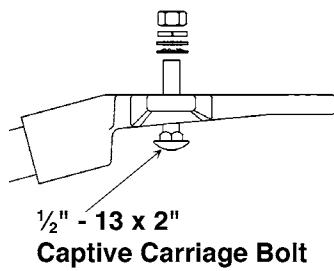
B Dimension is 6" & 8"

Catalog Number	Length A	Length C	Minimum Ultimate*			Weight (Each)
			Vertical V	Longitudinal L	Transverse T	
Medium Duty 1.5" (38 mm) Dia. Rod						
3SBM3613AMT	36" (91.4 cm)	13" (33 cm)	1200 lbs (540 kg)	800 lbs. (360 kg)	10000 lbs. (4500 kg)	19.6 lbs. (8.9 kg)
3SBM3618AMT	36" (91.4 cm)	18" (45.7 cm)	1200 lbs (540 kg)	800 lbs. (360 kg)	10000 lbs. (4500 kg)	20.3 lbs. (9.2 kg)
3SBM4818AMT	48" (121.9 cm)	18" (45.7 cm)	900 lbs. (405 kg)	700 lbs. (315 kg)	10000 lbs. (4500 kg)	22.5 lbs. (10.2 kg)
3SBM4824AMT	48" (121.9 cm)	24" (61 cm)	900 lbs. (405 kg)	700 lbs. (315 kg)	10000 lbs. (4500 kg)	23.3 lbs. (10.7 kg)
3SBM3613AMTB	36" (91.4 cm)	13" (33 cm)	1200 lbs (540 kg)	800 lbs. (360 kg)	10000 lbs. (4500 kg)	20.1 lbs. (9.1 kg)
3SBM3618AMTB	36" (91.4 cm)	18" (45.7 cm)	1200 lbs (540 kg)	800 lbs. (360 kg)	10000 lbs. (4500 kg)	20.8 lbs. (9.4 kg)
3SBM4818AMTB	48" (121.9 cm)	18" (45.7 cm)	900 lbs. (405 kg)	700 lbs. (315 kg)	10000 lbs. (4500 kg)	23.0 lbs. (10.4 kg)
3SBM4824AMTB	48" (121.9 cm)	24" (61 cm)	900 lbs. (405 kg)	700 lbs. (315 kg)	10000 lbs. (4500 kg)	23.8 lbs. (10.8 kg)

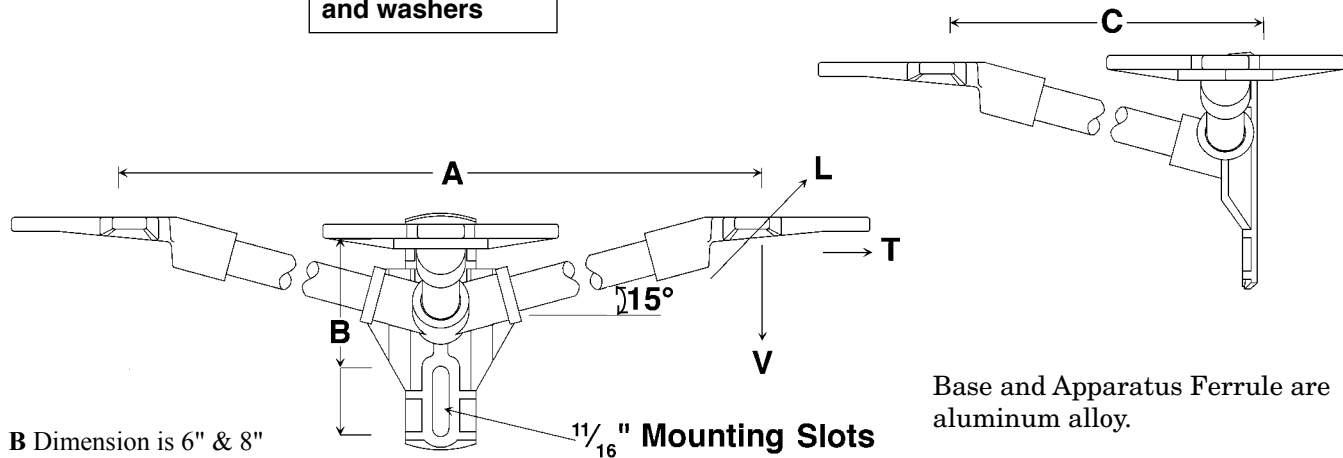
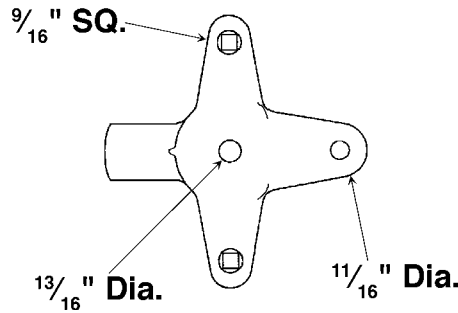
*Recommended maximum working load is 50% of minimum ultimate ratings listed.

Consult factory for additional lengths.

3 Position (Cloverleaf) Three-Phase Cutout / Arrester Bracket



**3SB-CLH Series
includes bolt, nut
and washers**

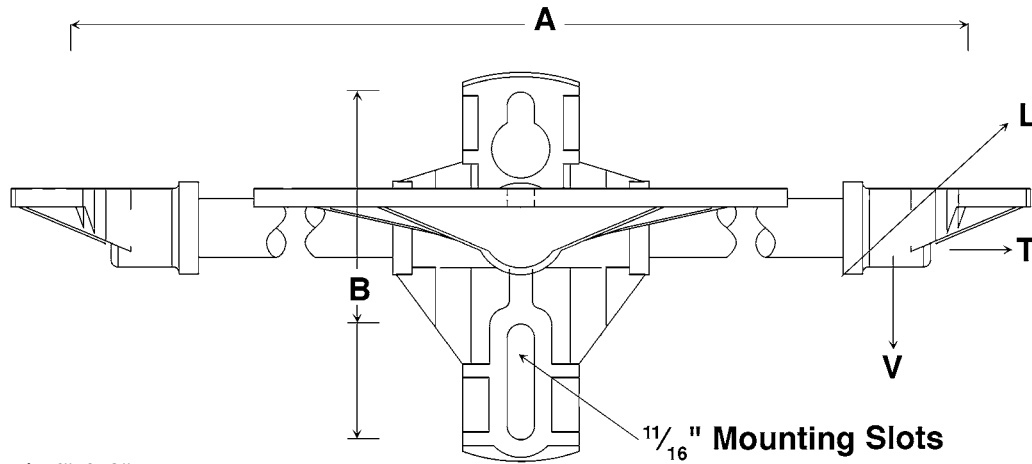


B Dimension is 6" & 8"

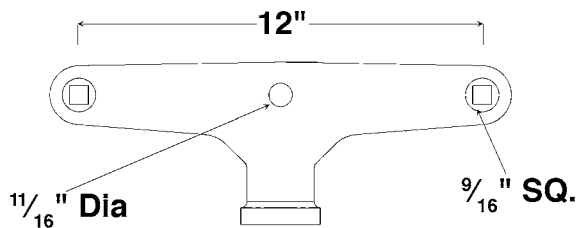
Catalog Number	Length A	Length C	Minimum Ultimate*			Weight (Each)
			Vertical V	Longitudinal L	Transverse T	
Medium Duty 1.5" (38 mm) Dia. Rod						
3SBM3613CL	36" (91.4 cm)	13" (33 cm)	1200 lbs. (540 kg)	800 lbs. (360 kg)	10000 lbs. (4500 kg)	20 lbs. (9 kg)
3SBM3618CL	36" (91.4 cm)	18" (45.7 cm)	1200 lbs. (540 kg)	800 lbs. (360 kg)	10000 lbs. (4500 kg)	22 lbs. (9.9 kg)
3SBM4818CL	48" (121.9 cm)	18" (45.7 cm)	900 lbs. (405 kg)	800 lbs. (360 kg)	10000 lbs. (4500 kg)	25 lbs. (11.3 kg)
3SBM3613CLRH	36" (91.4 cm)	13" (33 cm)	1200 lbs. (540 kg)	800 lbs. (360 kg)	10000 lbs. (4500 kg)	20 lbs. (9 kg)
3SBM3618CLRH	36" (91.4 cm)	18" (45.7 cm)	1200 lbs. (540 kg)	800 lbs. (360 kg)	10000 lbs. (4500 kg)	22 lbs. (9.9 kg)
3SBM4818CLRH	48" (121.9 cm)	18" (45.7 cm)	900 lbs. (405 kg)	800 lbs. (360 kg)	10000 lbs. (4500 kg)	25 lbs. (11.3 kg)
3SBM3613CLH	36" (91.4 cm)	13" (33 cm)	1200 lbs. (540 kg)	800 lbs. (360 kg)	10000 lbs. (4500 kg)	20 lbs. (9 kg)
3SBM3618CLH	36" (91.4 cm)	18" (45.7 cm)	1200 lbs. (540 kg)	800 lbs. (360 kg)	10000 lbs. (4500 kg)	22 lbs. (9.9 kg)
3SBM4818CLH	48" (121.9 cm)	18" (45.7 cm)	900 lbs. (405 kg)	800 lbs. (360 kg)	10000 lbs. (4500 kg)	25 lbs. (11.3 kg)

*Recommended maximum working load is 50% of minimum ultimate ratings listed.
Consult factory for additional lengths.

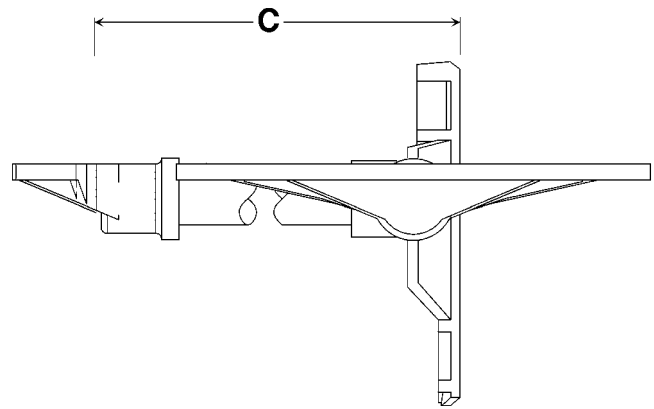
2 Position Three-Phase Cutout / Arrester Bracket



B Dimension is 6" & 8"



**3SBM—CTB Series
includes captive bolt,
nut and washers**

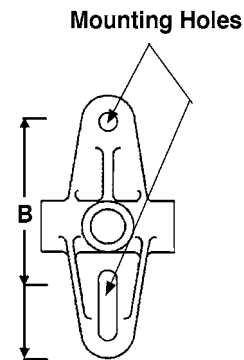
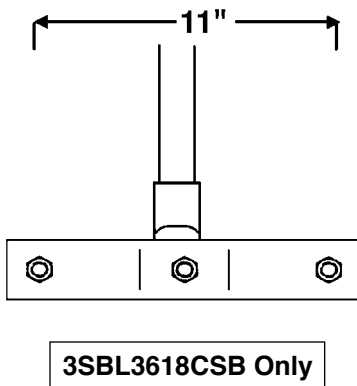
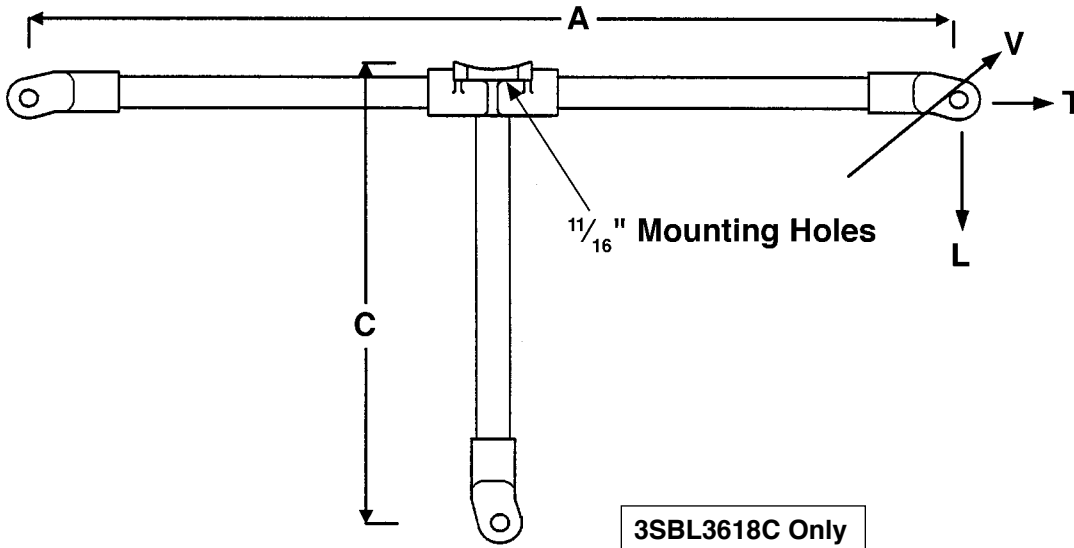


Base and Apparatus Ferrule are aluminum alloy.

Catalog Number	Length A	Length C	Minimum Ultimate*			Weight (Each)
			Vertical V	Longitudinal L	Transverse T	
Medium Duty 1.5" (38 mm) Dia. Rod						
3SBM3613CT	36" (91.4 cm)	13" (33 cm)	1200 lbs. (540 kg)	900 lbs. (405 kg)	1500 lbs. (675 kg)	20 lbs. (9 kg)
3SBM3618CT	36" (91.4 cm)	18" (45.7 cm)	1200 lbs. (540 kg)	900 lbs. (405 kg)	1500 lbs. (675 kg)	22 lbs. (9.9 kg)
3SBM4813CT	48" (121.9 cm)	13" (33 cm)	900 lbs. (405 kg)	700 lbs. (315 kg)	1500 lbs. (675 kg)	23 lbs. (10.4 kg)
3SBM4818CT	48" (121.9 cm)	18" (45.7 cm)	900 lbs. (405 kg)	700 lbs. (315 kg)	1500 lbs. (675 kg)	25 lbs. (11.3 kg)
3SBM3613CTB	36" (91.4 cm)	13" (33 cm)	1200 lbs. (540 kg)	900 lbs. (405 kg)	1500 lbs. (675 kg)	20 lbs. (9 kg)
3SBM3618CTB	36" (91.4 cm)	18" (45.7 cm)	1200 lbs. (540 kg)	900 lbs. (405 kg)	1500 lbs. (675 kg)	22 lbs. (9.9 kg)
3SBM4813CTB	48" (121.9 cm)	13" (33 cm)	900 lbs. (405 kg)	700 lbs. (315 kg)	1500 lbs. (675 kg)	23 lbs. (10.4 kg)
3SBM4818CTB	48" (121.9 cm)	18" (45.7 cm)	900 lbs. (405 kg)	700 lbs. (315 kg)	1500 lbs. (675 kg)	25 lbs. (11.3 kg)

*Recommended maximum working load is 50% of minimum ultimate ratings listed.
Consult factory for additional lengths.

1 (2) Position Three-Phase Cutout / Arrester Bracket

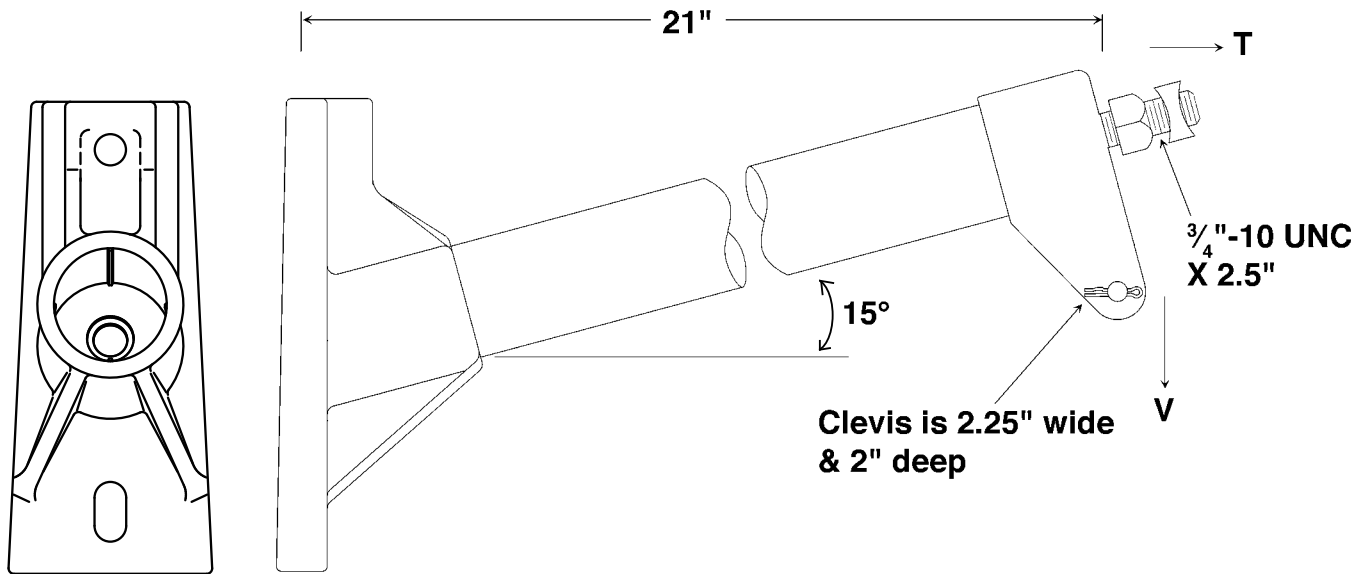


Base and Apparatus Ferrule are aluminum alloy.

Catalog Number	Length A	Length C	Minimum Ultimate*			Weight (Each)
			Vertical V	Longitudinal L	Transverse T	
Light Duty 1.25" (32 mm) Dia. Rod						
3SBL3618C	36" (91.4 cm)	18" (45.7 cm)	1000 lbs. (450 kg)	900 lbs. (405 kg)	1000 lbs. (450 kg)	10 lbs. (4.5 kg)
3SBL3618CSB	36" (91.4 cm)	18" (45.7 cm)	1000 lbs. (450 kg)	900 lbs. (405 kg)	1000 lbs. (450 kg)	17.5 lbs. (7.9 kg)

*Recommended maximum working load is 50% of minimum ultimate ratings listed.

Cable Spacer / Tangent Standoff Bracket

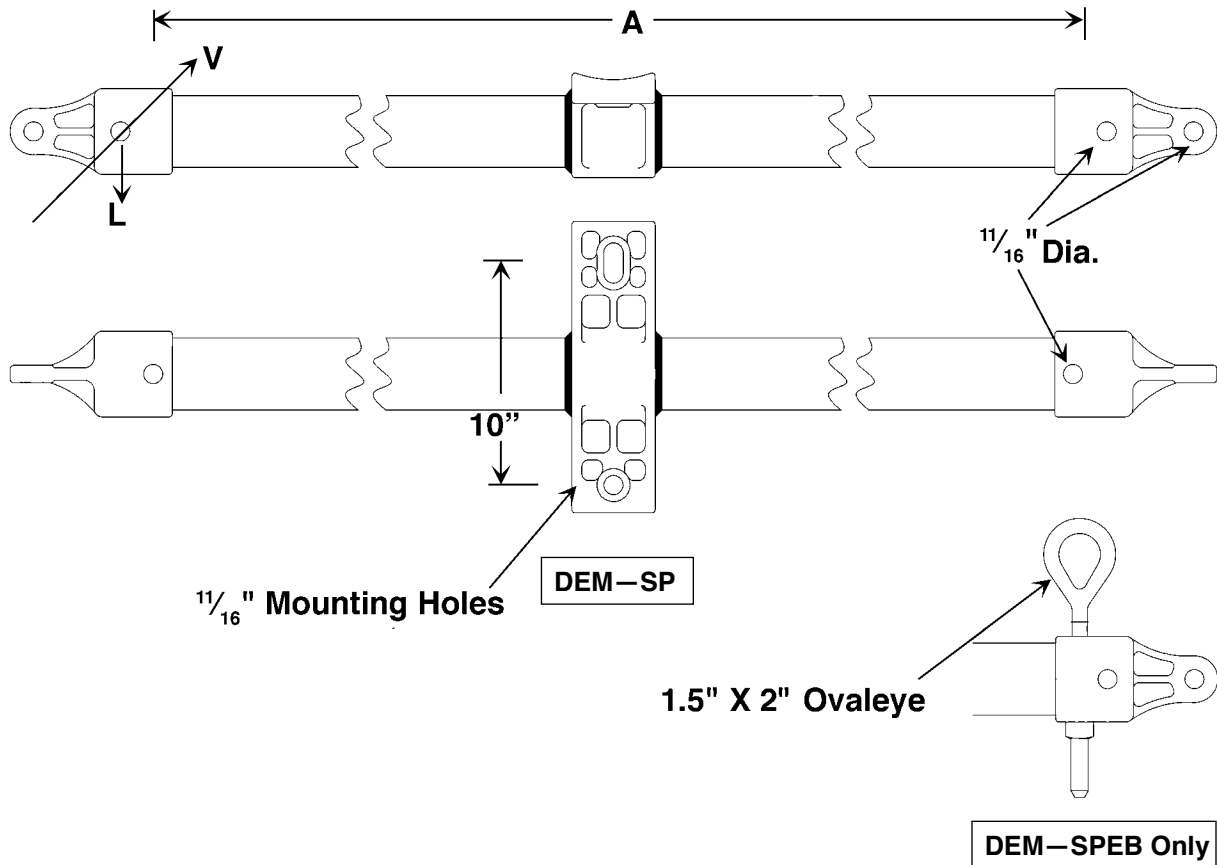


Base and End Ferrule
are hot-dip-galvanized
ductile iron.

Catalog Number	Length A	Minimum Ultimate*		Weight (Each)
		Vertical V	Transverse T	
Extra Heavy Duty 2.5" (63.5 mm) Dia. Rod				
T6531191	21" (53.3 cm)	4000 lbs. (1800 kg)	10,000 lbs. (4500 kg)	13.5 lbs. (6.1 kg)

*Recommended maximum working load is 50% of minimum ultimate ratings listed.
Consult factory for additional lengths.

Medium Duty Deadend Arms

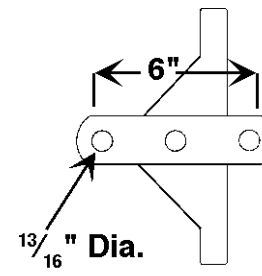
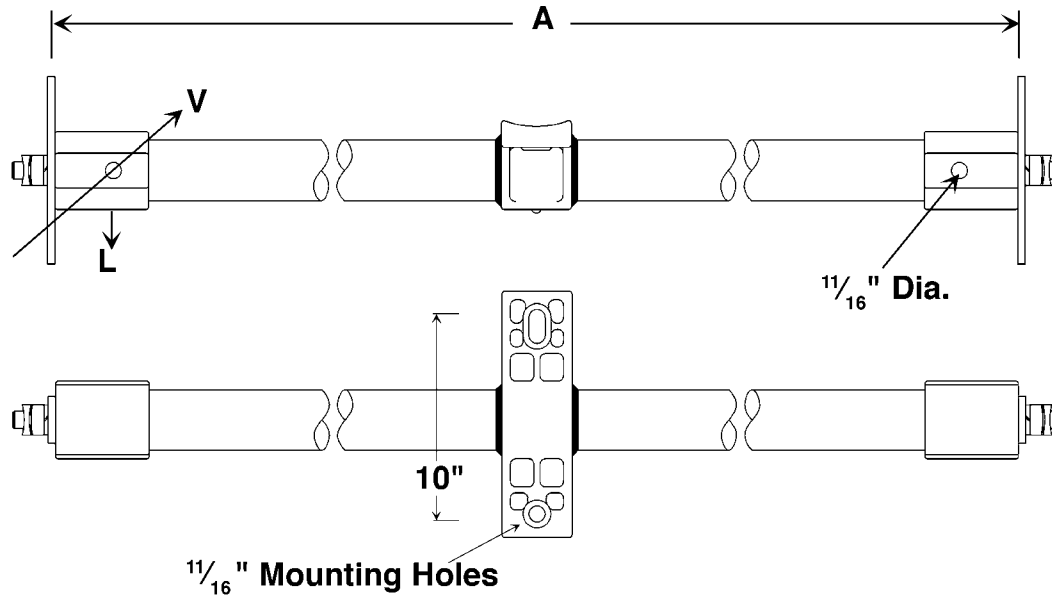


Base and Apparatus Ferrule are aluminum alloy.

Catalog Number	Length A	Minimum Ultimate*		Weight (Each)
		Vertical V	Longitudinal L	
Medium Duty 2.5" (63.5 mm) Dia. Rod				
DEM36SP	36" (91.4 cm)	6000 lbs. (2700 kg)	7500 lbs. (3375 kg)	18.7 lbs. (8.4 kg)
DEM42SP	42" (106.7 cm)	5200 lbs. (2340 kg)	6500 lbs. (2925 kg)	20.7 lbs. (9.3 kg)
DEM48SP	48" (121.9 cm)	4400 lbs. (1980 kg)	5500 lbs. (2475 kg)	22.8 lbs. (10.3 kg)
DEM54SP	54" (137.2 cm)	3440 lbs. (1548 kg)	4300 lbs. (1935 kg)	24.8 lbs. (11.2 kg)
DEM60SP	60" (152.4 cm)	2400 lbs. (1080 kg)	3000 lbs. (1350 kg)	26.8 lbs. (12.1 kg)
DEM36SPEB	36" (91.4 cm)	6000 lbs. (2700 kg)	7500 lbs. (3375 kg)	18.7 lbs. (8.4 kg)
DEM42SPEB	42" (106.7 cm)	5200 lbs. (2340 kg)	6500 lbs. (2925 kg)	20.7 lbs. (9.3 kg)
DEM48SPEB	48" (121.9 cm)	4400 lbs. (1980 kg)	5500 lbs. (2475 kg)	22.8 lbs. (10.3 kg)
DEM54SPEB	54" (137.2 cm)	3440 lbs. (1548 kg)	4300 lbs. (1935 kg)	24.8 lbs. (11.2 kg)
DEM60SPEB	60" (152.4 cm)	2400 lbs. (1080 kg)	3000 lbs. (1350 kg)	26.8 lbs. (12.1 kg)

*Recommended maximum working load is 50% of minimum ultimate ratings listed.
Consult factory for additional lengths.

Medium Duty Deadend Arms

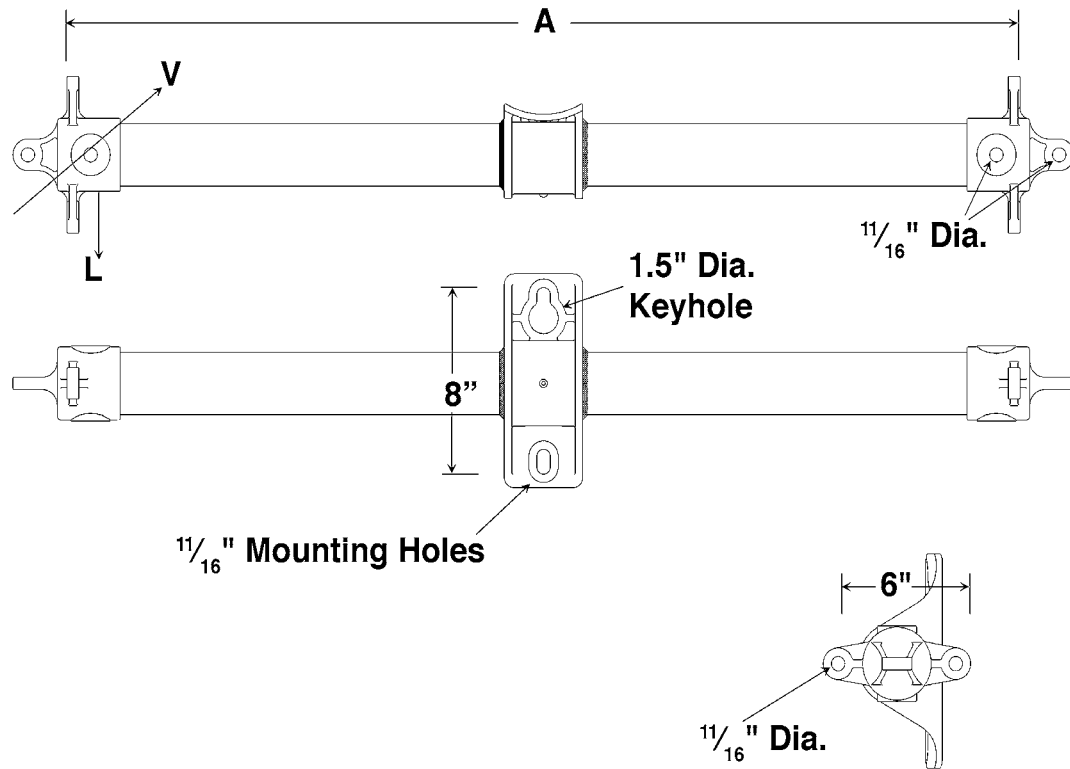


Base and Apparatus Ferrule are aluminum alloy.

Catalog Number	Length A	Minimum Ultimate*		Weight (Each)
		Vertical V	Longitudinal L	
Medium Duty 2.5" (63.5 mm) Dia. Rod				
DEM36DP	36" (91.4 cm)	6400 lbs. (2880 kg)	8000 lbs. (3600 kg)	20 lbs. (9 kg)
DEM42DP	42" (106.7 cm)	5200 lbs. (2340 kg)	6500 lbs. (2925 kg)	23 lbs. (10.4 kg)
DEM48DP	48" (121.9 cm)	4400 lbs. (1980 kg)	5500 lbs. (2475 kg)	24.1 lbs. (10.8 kg)
DEM54DP	54" (137.2 cm)	3400 lbs. (1530 kg)	4300 lbs. (1935 kg)	26.1 lbs. (11.7 kg)

*Recommended maximum working load is 50% of minimum ultimate ratings listed.
Consult factory for additional lengths.

Heavy Duty Deadend Arms



Base and Apparatus Ferrule are hot-dip galvanized ductile iron.

Catalog Number	Length A	Minimum Ultimate*		Weight (Each)
		Vertical V	Longitudinal L	
Heavy Duty 3" (76 mm) Dia. Rod				
DEH36DP	36" (91.4 cm)	9600 lbs. (4320 kg)	12000 lbs. (5400 kg)	34.5 lbs. (15.5 kg)
DEH42DP	42" (106.7 cm)	8400 lbs. (3780 kg)	10500 lbs. (4725 kg)	37.3 lbs. (16.8 kg)
DEH48DP	48" (121.9 cm)	7600 lbs. (3420 kg)	9500 lbs. (4275 kg)	41 lbs. (18.5 kg)
DEH54DP	54" (137.2 cm)	6800 lbs. (3060 kg)	8500 lbs. (3825 kg)	43.2 lbs. (19.4 kg)
DEH60DP	60" (152.4 cm)	6000 lbs. (2700 kg)	7500 lbs. (3375 kg)	46.2 lbs. (20.8 kg)
DEH72DP	72" (182.9 cm)	3400 lbs. (1530 kg)	6500 lbs. (2925 kg)	52.1 lbs. (23.4 kg)

*Recommended maximum working load is 50% of minimum ultimate ratings listed.
Consult factory for additional lengths.





**POWER SYSTEMS, INC.****WORLDWIDE LOCATIONS**

Web: <http://www.hubbellpowersystems.com>
E-mail: hpsliterature@hubbell.com

UNITED STATES
CANADA, INTERNATIONAL

HUBBELL POWER SYSTEMS, INC.
210 N. Allen Street
Centralia, Mo 65240-1395
Phone: 1-573-682-5521
Fax: 1-573-682-8714
e-mail: hpsliterature@hubbell.com

MEXICO

HUBBELL DE MEXICO, S.A. DE C.V.
Av. Insurgentes Sur #1228, Piso 8
Col. Tlacoquemacatl Del Valle
Mexico, D.F. 03200
Phone: 52-55-9151-9999
Fax: 52-55-9151-9988
Website: hubbell.com.mx