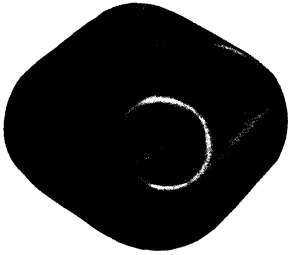


EHV SUBSTATION SPECIALTIES

EHV HARDWARE SHIELDS TYPE EVHS



ALUMINUM
EVHS



Aluminum alloy hardware shields for flat pad are designed for corona free service at 500 KV. The EVHS is a cast, one piece shield for easy installation. The EVHS-D may also be used to shield a 3 inch by 3 inch contact pad, providing adequate clearance is allowed. The catalog numbers provide one shield only without hardware.

Material: Shield – 356-T6 aluminum alloy
EVHS-D-CU & -TP – Bronze alloy

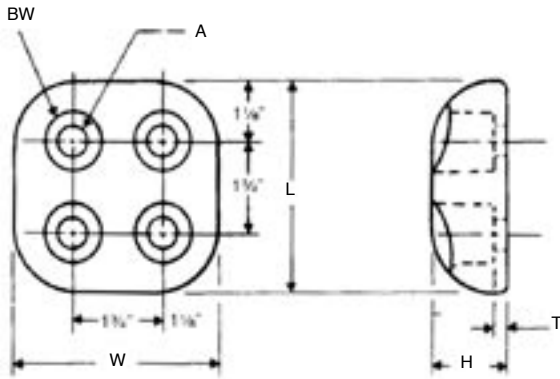


Figure 1

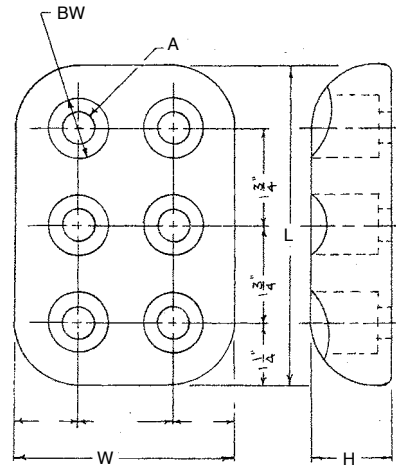


Figure 3

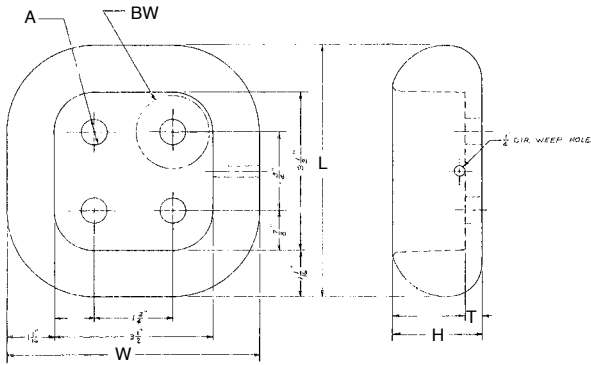


Figure 2

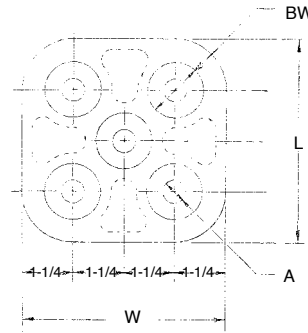


Figure 4

500 KV LINE-TO-LINE APPLICATIONS

CATALOG NUMBER	FIG	A HOLE DIA.	PAD APPLICATIONS	H	BOLT WELL DIA	W	T	L	APPROX. WT. EA. LBS. (KG)
EVHS-D	1	9/16"	4" x 4" (101.60)	1 1/2 (38.1)	11/8	4 (101.60)	1/4 (6.35)	4 (101.60)	.9 (.41)
EVHS-D-CU	1	9/16"	4" x 4" (101.60)	1 1/2 (38.1)	11/8	4 (101.60)	1/4 (6.35)	4 (101.60)	3.0 (1.36)
EVHS-D-CU-TP	1	9/16"	4" x 4" (101.60)	1 1/2 (38.1)	11/8	4 (101.60)	1/4 (6.35)	4 (101.60)	3.0 (1.36)
EVHS-D-BW-15	2	9/16"	4" x 4" (101.60)	2 (50.8)	1 11/16	55/8 (142.88)	3/8	55/8 (142.88)	2.8 (1.27)
EVHS-N	3	9/16"	4" x 6" (101.6 x 152.4)	1 1/2 (38.1)	11/8	4 (101.60)	1/4 (6.35)	6 (152.40)	1.4 (.64)
EVHS-K	4	11/16"	5" x 5" (127)	1 11/16 (42.93)	13/8	5 (127.00)	1/4 (6.35)	5 (127.00)	1.9 (.86)



EHV SUBSTATION SPECIALTIES

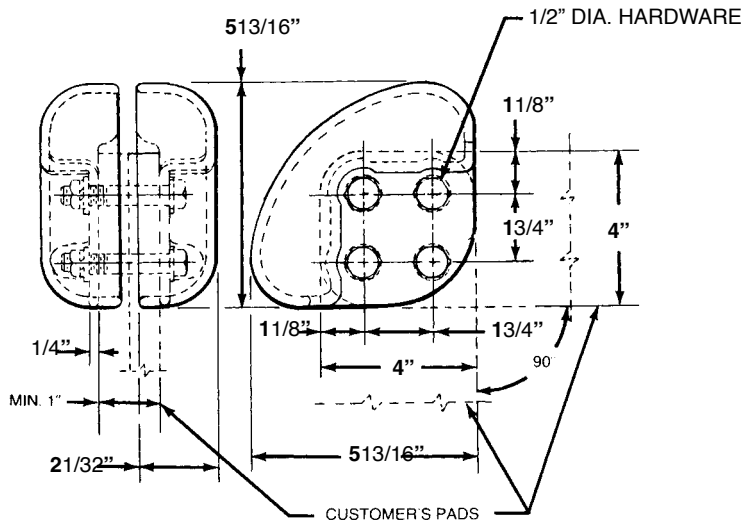
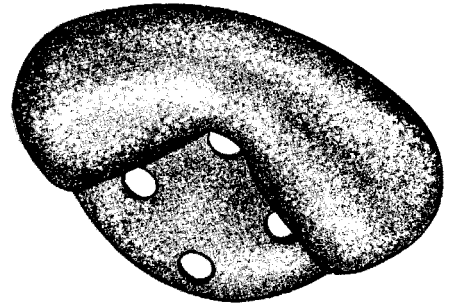
EHV HARDWARE SHIELDS TYPE HVHS-90-D

ALUMINUM HVHS-90-D

Aluminum alloy 90° hardware shield for flat pads are designed for corona free service at 345 KV. The HVHS-90-D is a cast, one piece shield for easy installation. This shield is used to shield hardware and provide protection to a 90° flat connection. The catalog numbers provide one shield only without hardware. Normally used in sets of two (2).

Material: Shield-356-T6 aluminum alloy

Note: Maximum washer clearance is 1 1/4".



345 KV LINE-TO-LINE APPLICATIONS

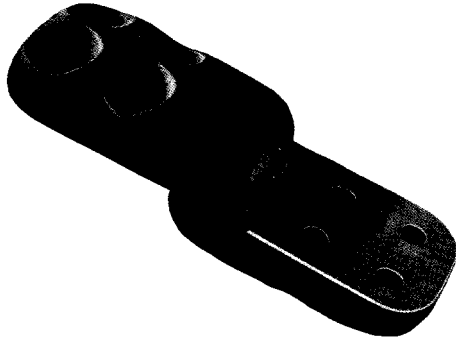
CATALOG NUMBER	PAD APPLICATION	APPROX. WT. EA. LBS. (KG)
HVHS-90-D	4" x 4" (101.60)	1.2 (.54)

EHV SUBSTATION SPECIALTIES

EHV EXTENSION PAD TYPE EVEF-D



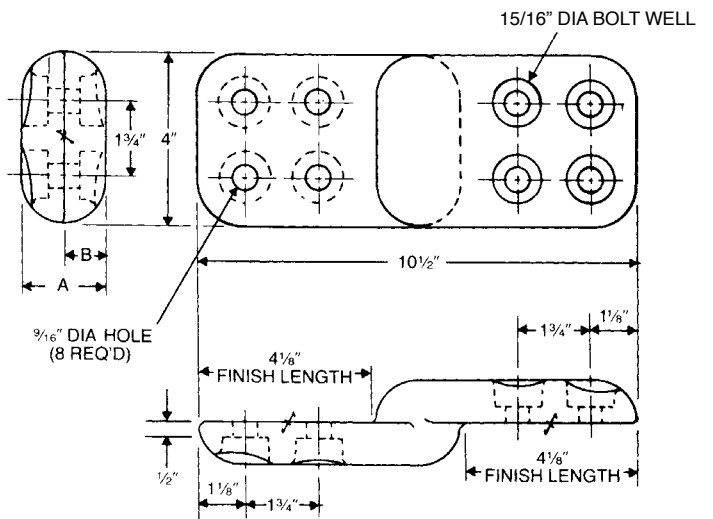
ALUMINUM
EVEF-D



Aluminum alloy extension pad is designed for corona free service at 500 KV. This connector can be used in conjunction with Type EVETF terminal connector where additional pad clearance is required. Contact sealant is recommended.

Material: Shield – 356-T6 aluminum alloy

Note: To assure corona free operation of extension terminal, bolts must be inserted from extension terminal side and nuts on equipment pads must be protected by equipment or hardware shields (see Type EVHS-D).



500KV LINE-TO-LINE APPLICATIONS

CATALOG NUMBER	PAD APPLICATION	DIMENSIONS IN INCHES		APPROX. WT. EA. LBS. (KG)
		A	B	
EVEF-D	4" x 4" Each End (101.60)	3 (76.20)	11/2 (38.10)	4.7 (2.13)