

OVER
80

YEARS
SERVING
THE
UTILITY
INDUSTRY



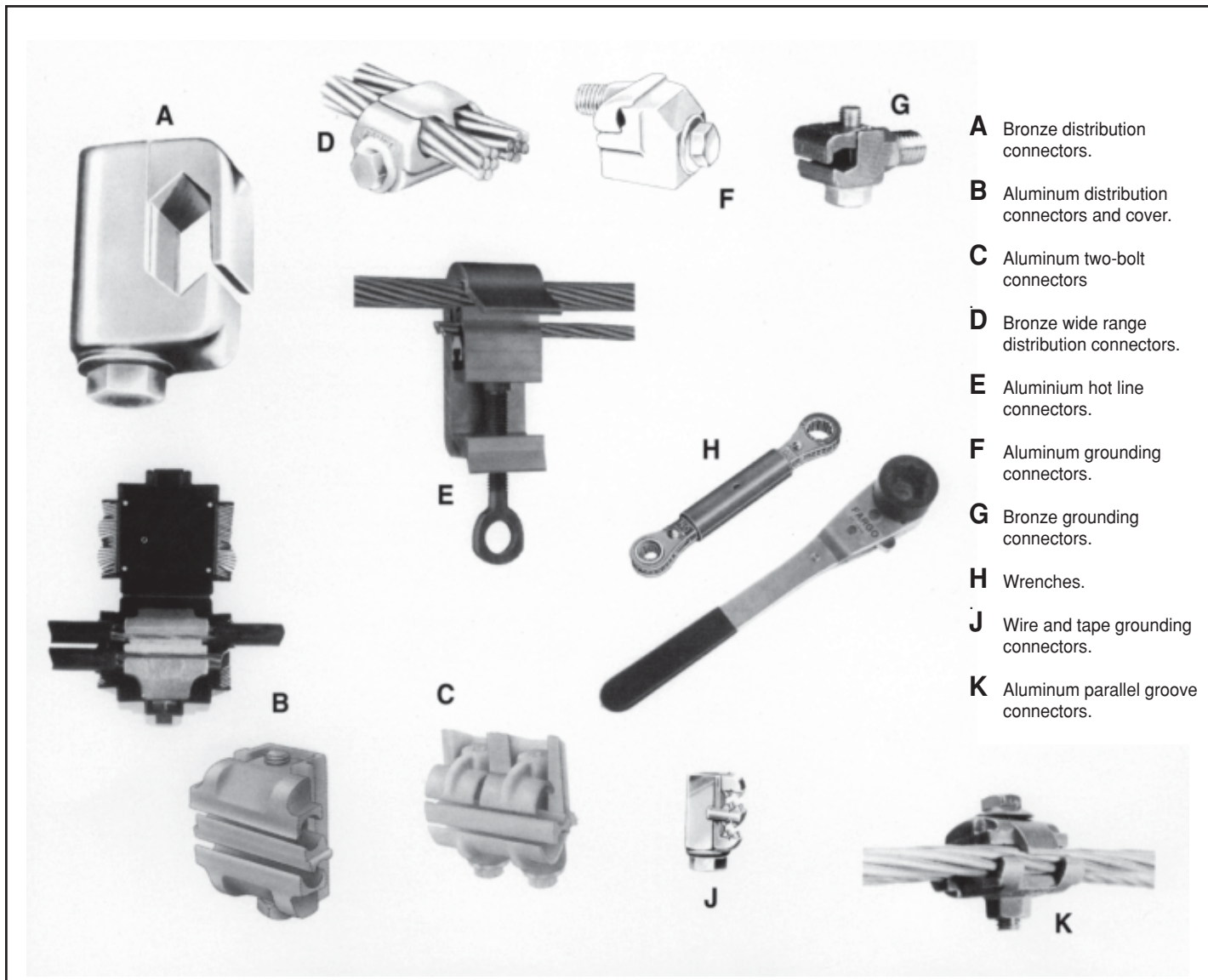
FARGO

POWER SYSTEMS, INC.

**Fittings for
Distribution-
Transmission-
Substation
and Tele-
communications**

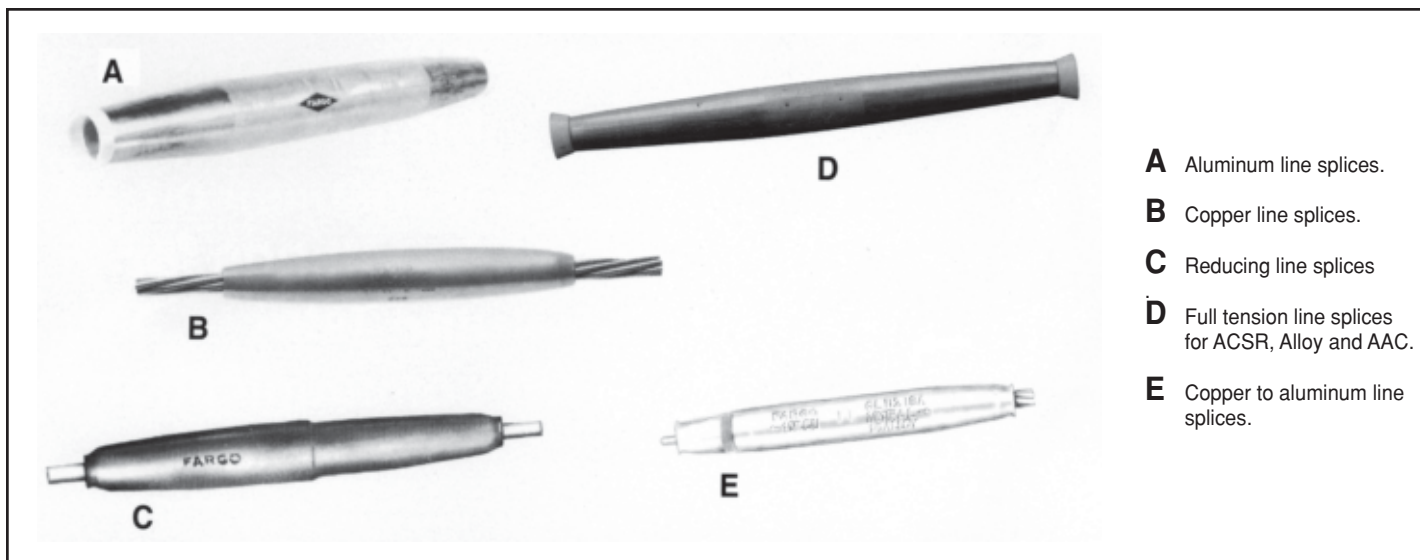
DISTRIBUTION FITTINGS

Section 1 ■ Electrical Connectors



- A** Bronze distribution connectors.
- B** Aluminum distribution connectors and cover.
- C** Aluminum two-bolt connectors
- D** Bronze wide range distribution connectors.
- E** Aluminium hot line connectors.
- F** Aluminum grounding connectors.
- G** Bronze grounding connectors.
- H** Wrenches.
- J** Wire and tape grounding connectors.
- K** Aluminum parallel groove connectors.

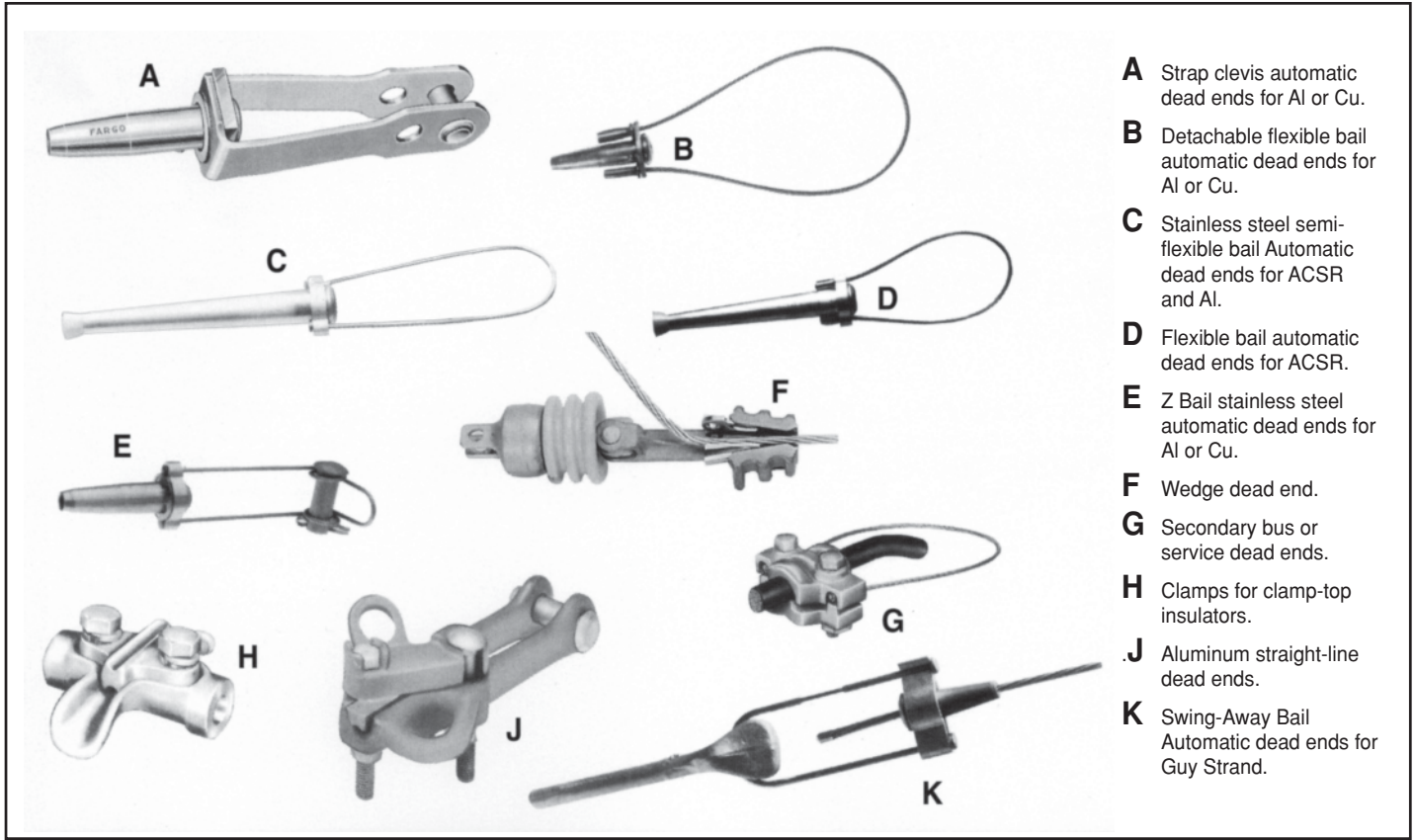
Section 2 ■ Automatic Full-Tension Line Splices



- A** Aluminum line splices.
- B** Copper line splices.
- C** Reducing line splices
- D** Full tension line splices for ACSR, Alloy and AAC.
- E** Copper to aluminum line splices.

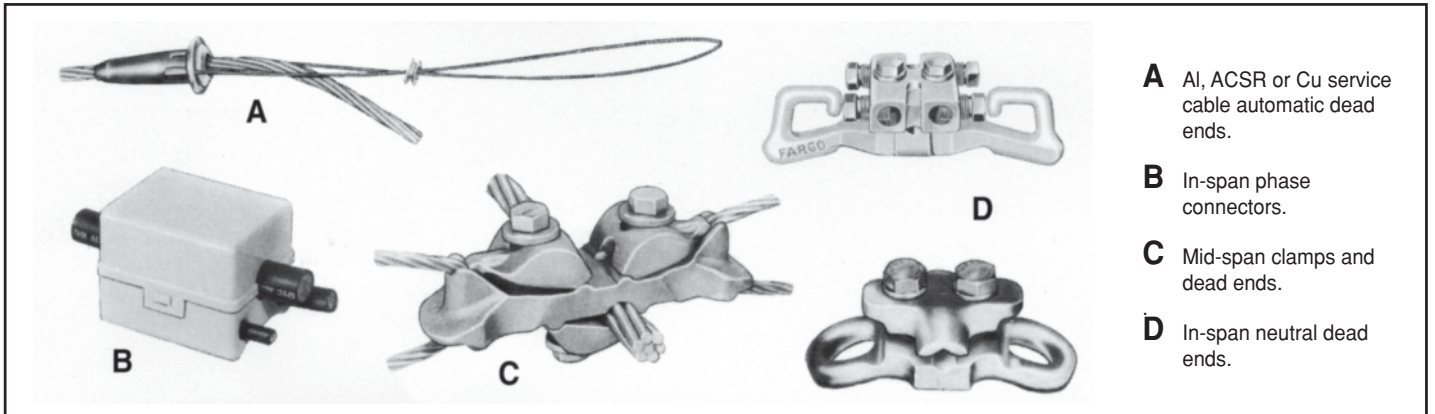
DISTRIBUTION FITTINGS

Section 3 ■ Full-Tension Dead Ends



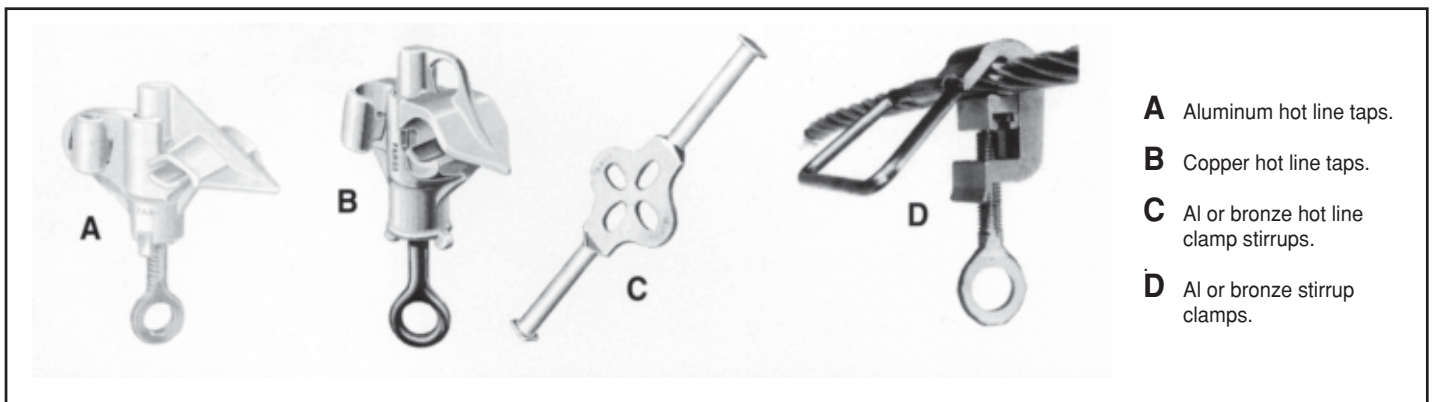
- A** Strap clevis automatic dead ends for Al or Cu.
- B** Detachable flexible bail automatic dead ends for Al or Cu.
- C** Stainless steel semi-flexible bail Automatic dead ends for ACSR and Al.
- D** Flexible bail automatic dead ends for ACSR.
- E** Z Bail stainless steel automatic dead ends for Al or Cu.
- F** Wedge dead end.
- G** Secondary bus or service dead ends.
- H** Clamps for clamp-top insulators.
- J** Aluminum straight-line dead ends.
- K** Swing-Away Bail Automatic dead ends for Guy Strand.

Section 4 ■ Service Fittings and Dead Ends



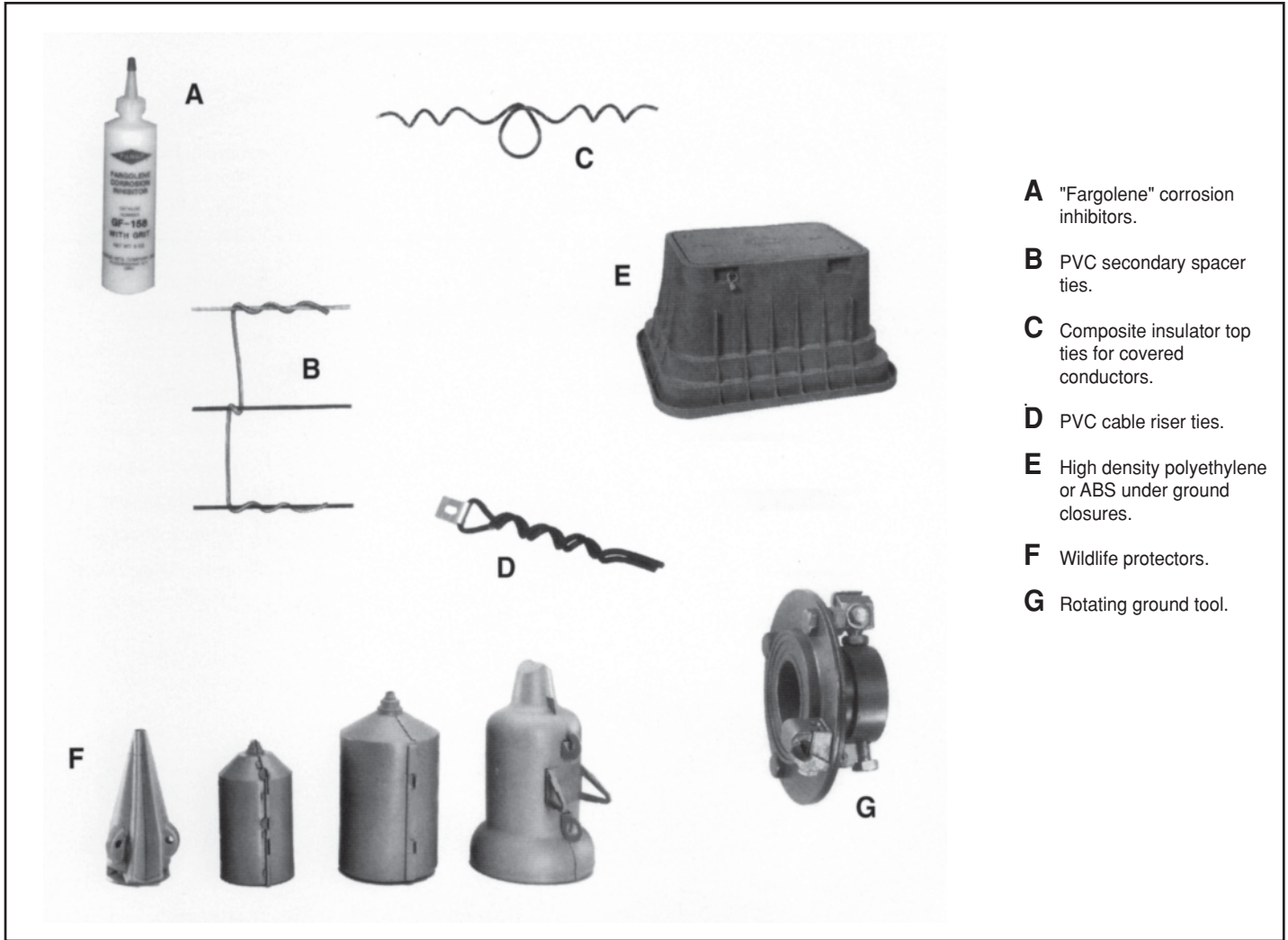
- A** Al, ACSR or Cu service cable automatic dead ends.
- B** In-span phase connectors.
- C** Mid-span clamps and dead ends.
- D** In-span neutral dead ends.

Section 5 ■ Hot Line Taps and Stirrups



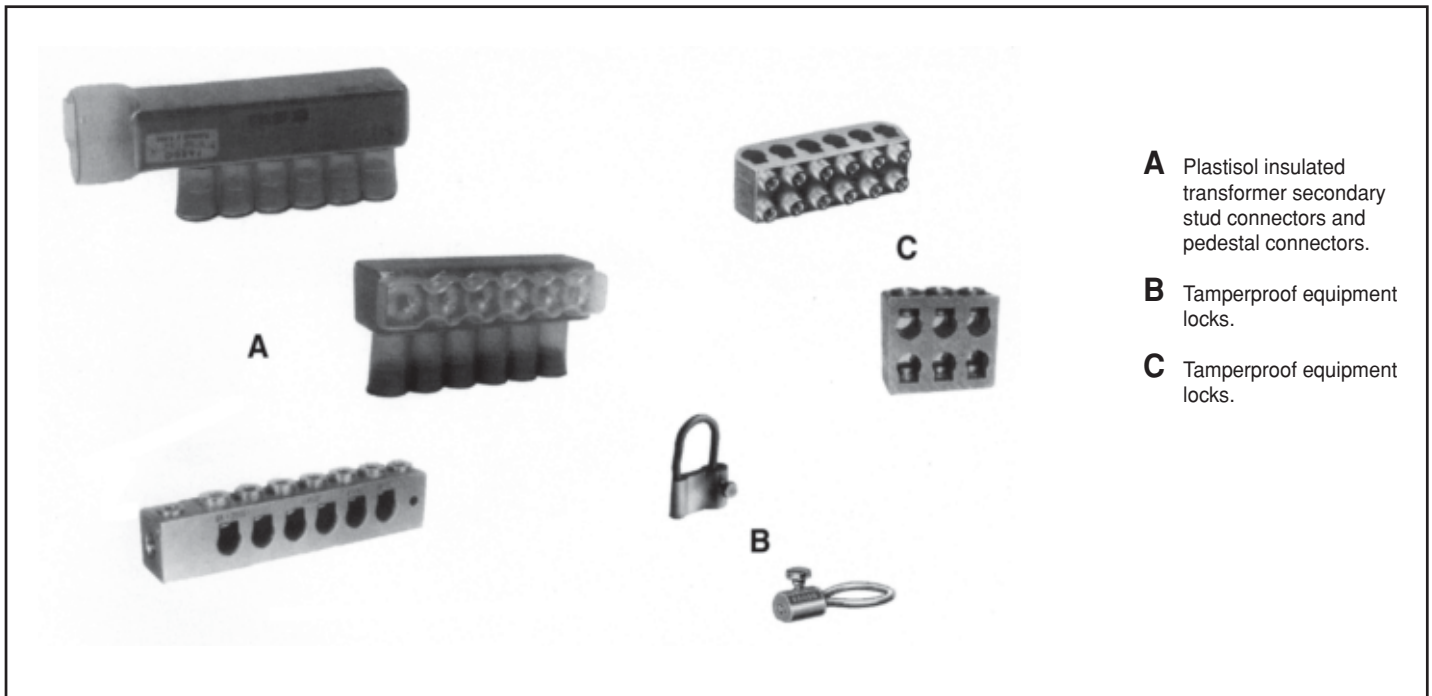
- A** Aluminum hot line taps.
- B** Copper hot line taps.
- C** Al or bronze hot line clamp stirrups.
- D** Al or bronze stirrup clamps.

Section 6 ■ Other Products



- A** "Fargolene" corrosion inhibitors.
- B** PVC secondary spacer ties.
- C** Composite insulator top ties for covered conductors.
- D** PVC cable riser ties.
- E** High density polyethylene or ABS under ground closures.
- F** Wildlife protectors.
- G** Rotating ground tool.

Section 7 ■ Underground Distribution Products



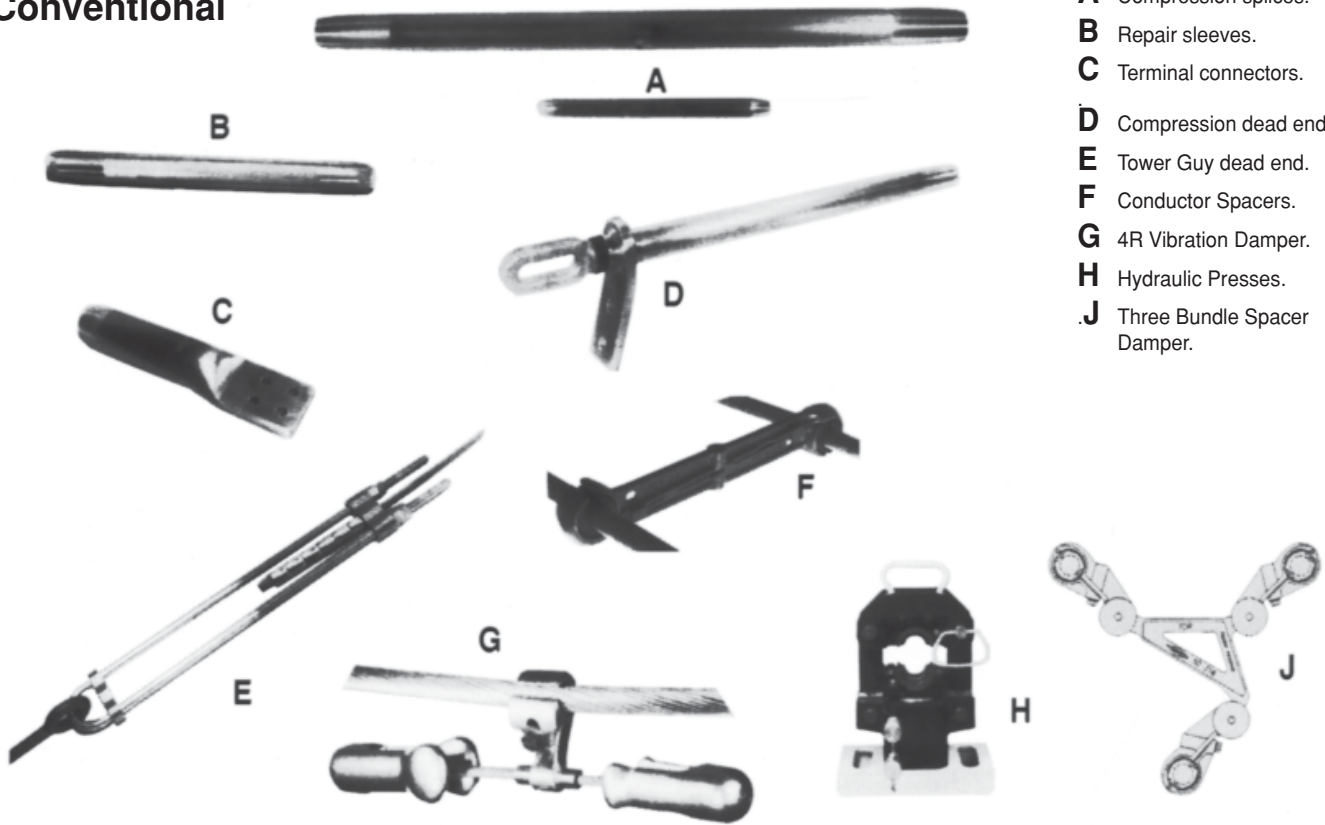
- A** Plastisol insulated transformer secondary stud connectors and pedestal connectors.
- B** Tamperproof equipment locks.
- C** Tamperproof equipment locks.

Section 8 ■ Fargo Transmission Fittings

Uni-Gi

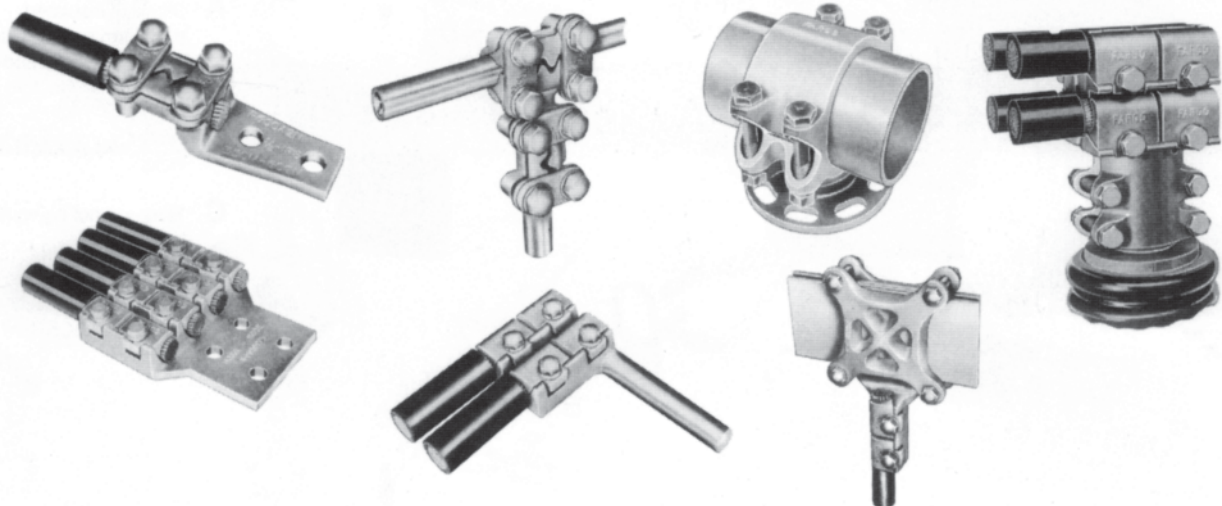


Conventional



- A** Compression splices.
- B** Repair sleeves.
- C** Terminal connectors.
- D** Compression dead ends.
- E** Tower Guy dead end.
- F** Conductor Spacers.
- G** 4R Vibration Damper.
- H** Hydraulic Presses.
- J** Three Bundle Spacer Damper.

Section 9 ■ Substation Fittings for Cable, Tube and Bus





POWER SYSTEMS, INC.



WORLDWIDE LOCATIONS

**Web: <http://www.hubbellpowersystems.com>
E-mail: hpsliterature@hps.hubbell.com**

UNITED STATES

HUBBELL POWER SYSTEMS, INC.
210 N. Allen
Centralia, Mo 65240-1395
Phone: 573-682-5521
Fax: 573-682-8714
e-mail: hpscontact@hps.hubbell.com

CANADA

HUBBELL CANADA, INC.
870 Brock Road South
Pickering, Ontario L1W 1Z8
Phone: 905-839-1138
Fax: 905-831-6353
e-mail: infohps@hubbellonline.com

MEXICO

HUBBELL DE MEXICO, S.A. DE. CV
Av. Coyoacan No. 1051
Col. Del Valle
03100 Mexico, D.F.
Phone: 52-55-9151-9999
Fax: 52-55-9151-9988
e-mail: vtasdf@hubbell.com.mx

ASIA

HUBBELL S.E. ASIA PTE. LTD.
23 Tagore Lane #03-16
Tagore 23 Warehouse
Singapore 787601
Phone: 65-6454-4772
Fax: 65-6454-4775
e-mail: hpscontact@hps.hubbell.com

ANDERSON™ CHANCE® FARGO® HUBBELL® OHIO/BRASS®