

POLYCAST®

3000 Series

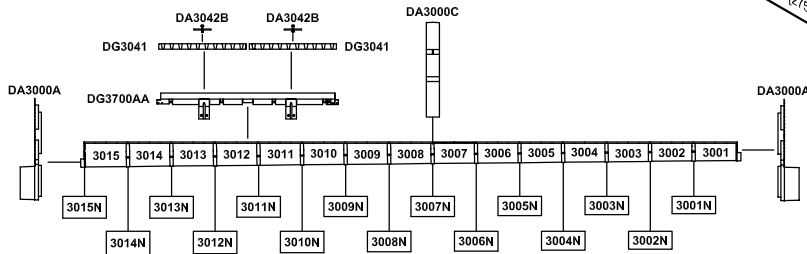
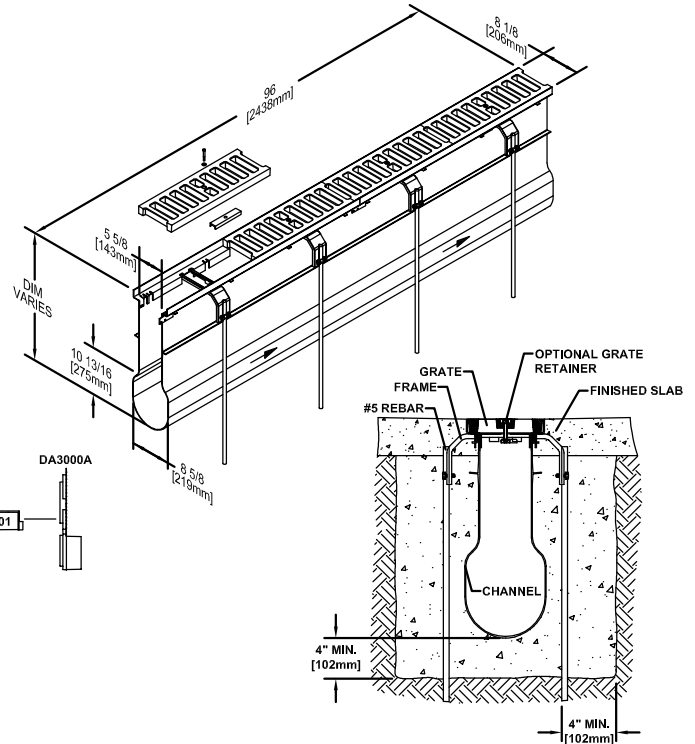
Pre-Sloped High Capacity Drain System

PROJECT ID/ CONTRACT NO: _____

LOCATION: _____

ENGINEERING SPECIFICATION:

POLYCAST® 3000 Series High Capacity Pre-Sloped Drain System is 8ft [2.44m] long with a 1% slope pultruded fiberglass pre-sloped channels. Channels shall be UV resistant and limit water absorption to less than 1%. The frame shall incorporate an integral air vent system to release air from under the bearing structure. Four locking mechanisms shall be provided per 8ft [2.44m] section and 3/8"-16 UNC stainless steel locking bolts with each channel and grate assembly. End caps shall be provided where required. Each end cap shall be available in closed style with a scored line to allow adaptation to an 8" pipe opening. Channel and frame assembly shall withstand loads exceeding AASHTO H-20. Flow rates are over 3,000 GPM (Gallons per Minute). Each numbered sloped channel shall have a corresponding non-sloped neutral channel (indicated by 'N' in part number) to use as necessary.



Channel Number	Weight (LBS.)	Inlet Dim 'A'	Outlet Dim 'B'
<input checked="" type="checkbox"/> DG3001	25	13-1/16	14
<input type="checkbox"/> DG3001N (Non-Sloped)	25	14	14
<input type="checkbox"/> DG3002	26	14	15
<input type="checkbox"/> DG3002N (Non-Sloped)	26	15	15
<input type="checkbox"/> DG3003	28	15	15-15/16
<input type="checkbox"/> DG3003N (Non-Sloped)	28	15-15/16	15-15/16
<input type="checkbox"/> DG3004	29	15-15/16	16-7/8
<input type="checkbox"/> DG3004N (Non-Sloped)	29	16-7/8	16-7/8
<input type="checkbox"/> DG3005	31	16-7/8	17-13/16
<input type="checkbox"/> DG3005N (Non-Sloped)	31	17-13/16	17-13/16
<input type="checkbox"/> DG3006	32	17-13/16	18-13/16
<input type="checkbox"/> DG3006N (Non-Sloped)	32	18-13/16	18-13/16
<input type="checkbox"/> DG3007	34	18-13/16	19-3/4
<input type="checkbox"/> DG3007N (Non-Sloped)	34	19-3/4	19-3/4
<input type="checkbox"/> DG3008	35	19-3/4	20-3/4
<input type="checkbox"/> DG3008N (Non-Sloped)	35	20-3/4	20-3/4
<input type="checkbox"/> DG3009	37	20-3/4	21-11/16
<input type="checkbox"/> DG3009N (Non-Sloped)	37	21-11/16	21-11/16
<input type="checkbox"/> DG3010	41	21-11/16	22-11/16
<input type="checkbox"/> DG3010N (Non-Sloped)	41	22-11/16	22-11/16
<input type="checkbox"/> DG3011	42	22-11/16	23-5/8
<input type="checkbox"/> DG3011N (Non-Sloped)	42	23-5/8	23-5/8
<input type="checkbox"/> DG3012	44	23-5/8	24-9/16
<input type="checkbox"/> DG3012N (Non-Sloped)	44	24-9/16	24-9/16
<input type="checkbox"/> DG3013	45	24-9/16	25-9/16
<input type="checkbox"/> DG3013N (Non-Sloped)	45	25-9/16	25-9/16
<input type="checkbox"/> DG3014	47	25-9/16	26-1/2
<input type="checkbox"/> DG3014N (Non-Sloped)	47	26-1/2	26-1/2
<input type="checkbox"/> DG3015	48	26-1/2	27-1/2
<input type="checkbox"/> DG3015N (Non-Sloped)	48	27-1/2	27-1/2

Grate Options (Select One)			
Grate Type	Part No.	DIN Load Class	
<input checked="" type="checkbox"/> Fiberglass	DG3044	Class C	
<input type="checkbox"/> Ductile Iron Slotted	DG3041D	Class F	
Options (Select All That Apply)	Part No.	Additional Specifications:	
<input type="checkbox"/> End Cap/Pipe Adapter	DA3000A		
<input type="checkbox"/> Channel Coupler	DA3000C		
<input type="checkbox"/> Bottom Outlet Adapter	DA3000S		
<input type="checkbox"/> Locking Device For Ductile Iron Grate	DA3042B		
<input type="checkbox"/> Locking Device For Fiberglass Grate	DA3044B		
<input type="checkbox"/> 48" Zinc Plated Channel Frame	DG3700		
<input type="checkbox"/> 48" Stainless Steel Channel Frame	DG3700S		

Meets the following Standards & Specifications:

- DIN 19580 / DIN EN 1433 Drainage Channels for Vehicular and Pedestrian Areas
- AASHTO H-20 and H-25 per AASHTO M-306 Drainage, Sewer, Utility and Related Castings
- Federal Aviation Administration (FAA) Advisory Circular AC 150/5320-6E Appendix 3. Design of Structures for Heavy Airplanes
- ASTM Standard D543, Test Method for Resistance of Plastics to Chemical Reagents
- ASTM Standard D570, Test Method for Water Absorption of Plastic
- ASTM Standard D576, Practice for Determination of Weight and Shape Changes of Plastics Under Accelerated Service Conditions
- ASTM Standard G53, Recommended Practice for Operating Light and Water Exposure Apparatus for Exposure of Non-Metallic Materials
- ASTM Standard D695, Test Method of Compressive Properties of Rigid Plastics
- ASTM Standard D790, Test Method for Flexural Properties of Unreinforced and Reinforced Plastics and Electrical Insulation Materials
- ASTM Standard B117, Standard Practice for Operating Salt Spray (Fog) Apparatus



www.polycastdrain.com
Toll Free Number:
1-800-346-3062