

POLYCAST®

3000 Series

W/ Non-removable Grates

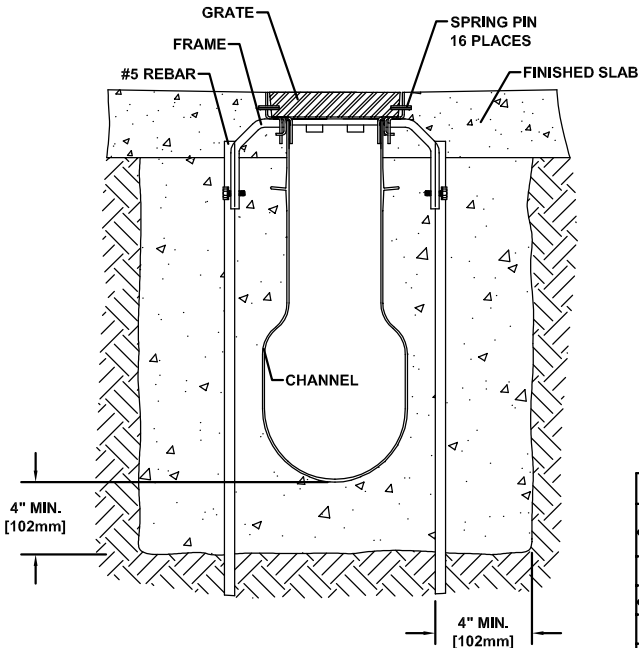
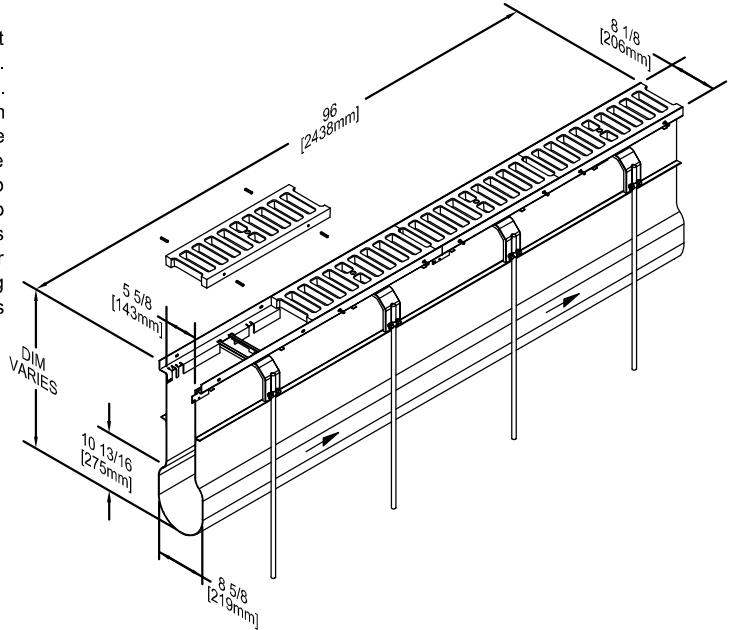
Pre-Sloped High Capacity Drain System

PROJECT ID/ CONTRACT NO: _____

LOCATION: _____

ENGINEERING SPECIFICATION:

POLYCAST® 3000 Series High Capacity Pre-Sloped Drain System is 8ft [2.44m] long with a 1% slope pultruded fiberglass pre-sloped channels. Channels shall be UV resistant and limit water absorption to less than 1%. The frame shall incorporate an integral air vent system to release air from under the bearing structure. Four stainless steel spring pins per grate permanently lock the grates to the galvanized frames for non-removable applications. End caps shall be provided where required. Each end cap shall be available in closed style with a scored line to allow adaptation to an 8" pipe opening. Channel and frame assembly shall withstand loads exceeding AASHTO H-20. Flow rates are over 3,000 GPM (Gallons per Minute). Each numbered sloped channel shall have a corresponding non-sloped neutral channel (indicated by 'N' in part number) to use as necessary.



| Grate Options (Select One) | | |
|--|----------|----------------|
| Grate Type | Part No. | DIN Load Class |
| <input checked="" type="checkbox"/> Ductile Iron Slotted, Non-Removable | DG3041T | Class F |
| Frame Type | Part No. | |
| <input checked="" type="checkbox"/> 48" Galvanized Non-Removable Channel Frame | DG3700T | |
| Options (Select All That Apply) | Part No. | |
| <input type="checkbox"/> End Cap/Pipe Adapter | DA3000A | |
| <input type="checkbox"/> Channel Coupler | DA3000C | |
| <input type="checkbox"/> Bottom Outlet Adapter | DA3000S | |

Meets the following Standards & Specifications:

- DIN 19580 / DIN EN 1433 Drainage Channels for Vehicular and Pedestrian Areas
- AASHTO H-20 and H-25 per AASHTO M-306 Drainage, Sewer, Utility and Related Castings
- Federal Aviation Administration (FAA) Advisory Circular AC 150/5320-6E Appendix 3. Design of Structures for Heavy Airplanes
- ASTM Standard D543, Test Method for Resistance of Plastics to Chemical Reagents
- ASTM Standard D570, Test Method for Water Absorption of Plastic
- ASTM Standard D576, Practice for Determination of Weight and Shape Changes of Plastics Under Accelerated Service Conditions
- ASTM Standard G53, Recommended Practice for Operating Light and Water Exposure Apparatus for Exposure of Non-Metallic Materials
- ASTM Standard D695, Test Method of Compressive Properties of Rigid Plastics
- ASTM Standard D790, Test Method for Flexural Properties of Unreinforced and Reinforced Plastics and Electrical Insulation Materials
- ASTM Standard B117, Standard Practice for Operating Salt Spray (Fog) Apparatus



www.polycastdrain.com
Toll Free Number:
1-800-346-3062