

POLYCAST®

DG0685HD

800 Series

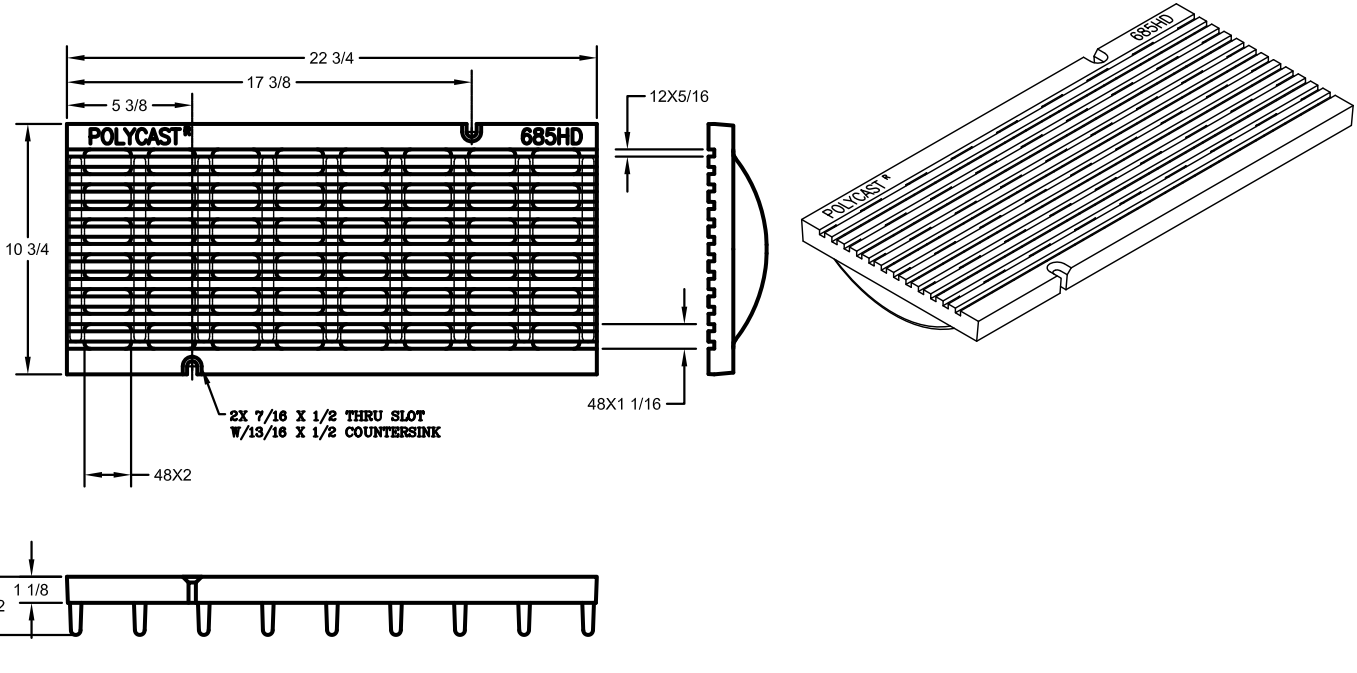
Ductile Iron Slotted

PROJECT ID/ CONTRACT NO: _____

LOCATION: _____

ENGINEERING SPECIFICATION:

POLYCAST® DG0685HD DESIGNED FOR HEAVY TRAFFIC. THIS GRATE IS ADA COMPLIANT. AVAILABLE IN 24" LENGTHS.



DIN APPLICATION LOAD CLASS C:
Curb sides, highway shoulders, and parking areas
Designed for a distributed pressure of 56,200 lbs (250 kN).

Meets the following Standards & Specifications:

- DIN 19580 / DIN EN 1433 Drainage Channels for Vehicular and Pedestrian Areas
- The Americans with Disabilities Act of 1990: 4.5.4
- Australian Standard AS 3996-2006 Clause 3.3.6



www.polycastdrain.com
Toll Free Number:
1-800-346-3062

PC-99
9/22/11