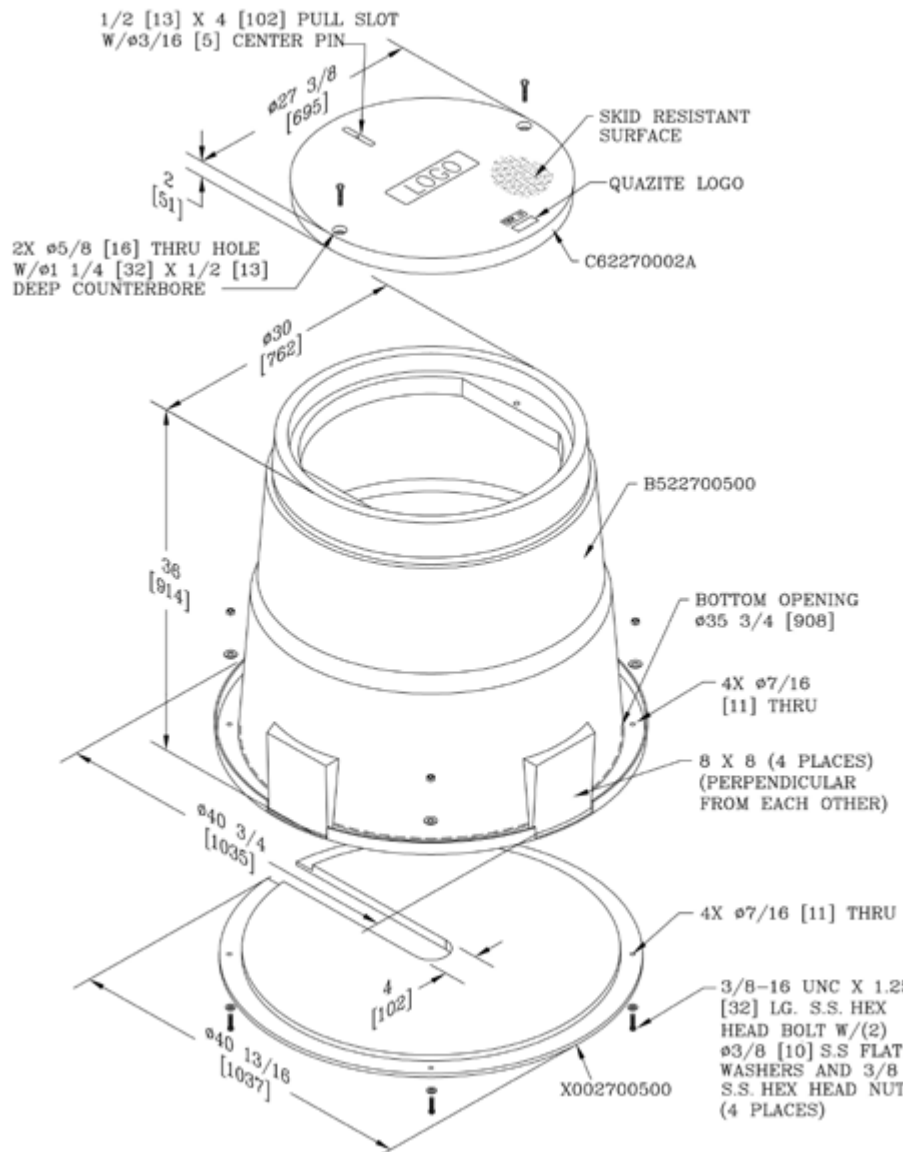


# ROUND FIBER ENCLOSURES

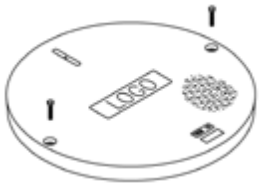
## FIBER OPTIC SOLUTIONS



Hubbell offers a 32 X 36 Fiber Enclosure with high-quality features for your fiber-optic networks:

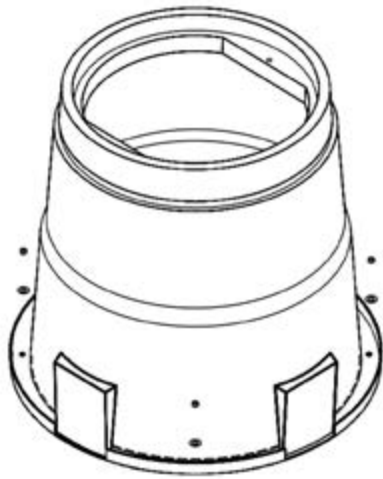
Lightweight | Bend radius protection of optical cable | 90-degree mounting points at base  
Slotted base at bottom of enclosure | Available with penta-head or auger-style cover bolts

Learn more about Hubbell enclosures at [hubbellpowersystems.com/enclosures](http://hubbellpowersystems.com/enclosures). Let Hubbell exceed your expectations today!



### Covers

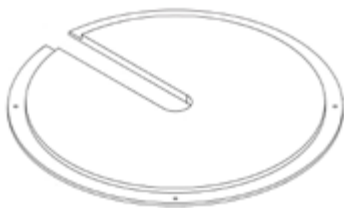
DESCRIPTION	TIER	DESIGN/TEST LOAD #	WEIGHT #	PALLET QTY	PART NO.
W/ 2 Pentahead Bolts	15	15,000/22,500	75	10	C12270002A
W/ 2 Auger Bolts	15	15,000/22,500	75	10	C62270002A



### Box

DESCRIPTION	DEPTH (in)	TIER	DESIGN/TEST LOAD #	WEIGHT (lbs)	PALLET QTY	PART NO.
Open Bottom	36	15	15,000/22,500	138	4	B522700500

NOTE: Cover rating cannot exceed box rating.



### Base

DESCRIPTION	TIER	DESIGN/TEST LOAD #	WEIGHT (lbs)	PALLET QTY	PART NO.
Slotted Base	15	15,000/22,500	106	20	X002700500

NOTE: Cover rating cannot exceed box rating.

## Save Time

Order as an assembly

The round, fiber-style enclosure can be ordered as component pieces (see part numbers at left) or as complete assemblies in two different ways:

### Complete assembly

Includes:  
Cover, Box and Base  
**Part No. A622700501**

### Cover/Enclosure assembly

Includes:  
Cover and Box  
**Part No. A622700502**

SF\_07\_016\_E