

SECURE YOUR INFRASTRUCTURE



STEELSTOP™ ENCLOSURE

Equipped with a steel shield inside, the hardened cover has reinforced bolt silos to eliminate pry-points, repel sledge hammers and deter persistent thieves.

Available for new installations, or as a retrofit kit. The retrofit kit includes a composite reinforced Quazite® cover, a quarter inch thick steel cover, and our patented Z-brackets.

LOKBOX® ENCLOSURE

Quarter inch thick steel is hidden by a reinforced composite Quazite® cover. Engineered metal flanges embed under the surrounding concrete to prevent thieves from prying open the lid or digging up the enclosure.

The armored “puck-style” lock* is cleverly concealed to prevent drilling and secures the cover to eliminate pry-points.

SECURE: Defends mission critical underground infrastructure against illegal entry.

STRONG: Crafted from high-strength, low carbon steel and high grade components.

EASILY INSTALLED: Available as a retrofit kit, or an assembled Quazite® enclosure.

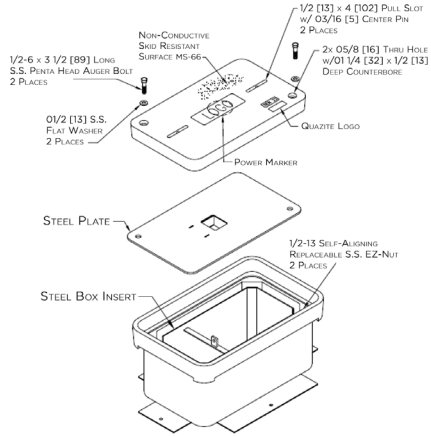
NON-CONDUCTIVE: The reinforced polymer concrete cover limits stray voltage.

*Lock not included. Hubbell can recommend commercially available locks for customer use.

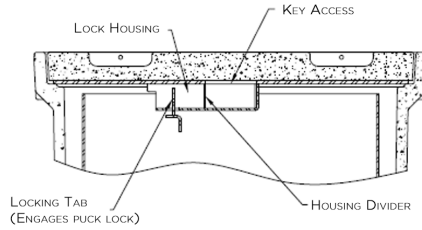
Learn more about Hubbell® enclosures at: hubbellpowersystems.com/enclosures.
Let Hubbell® exceed your expectations today.

LokBox® Enclosure Assemblies

DESCRIPTION	DEPTH (in)	TIER	DESIGN/TEST LOAD #	WEIGHT (lbs)	PALLET QTY	PART NO.
13x24 LokBox Assy	12	22	22,500/33,750	147	12	PG1324Z884***
	18			173	12	PG1324Z877***
	24			201	12	PG1324Z885***
17x30 LokBox Assy	12	22	22,500/33,750	191	10	PG1730Z890***
	18			219	8	PG1730Z894***
	24			245	6	PG1730Z891***



NOTE: Part numbers include a power marker.



LOCK DETAIL

NOTE: Puck style lock purchased separately. Master Lock #6270/970 recommended.



Save Time

Order as an assembly

The LokBox®, and the SteelStop™ enclosures can be ordered as assemblies to save installation time. The SteelStop™ is also available as a retrofit kit for existing installs.

Patented Security

Both the LokBox® and the SteelStop™ enclosures have patented features - for your security.

ANSI/SCTE 77 Rated

Non-conductive, with a 0.50 co-efficient of friction, all LokBox® and SteelStop™ enclosures have a Tier 22 rating, and meet the ASTM C1028-06 coefficient of friction (sect. 8) requirement.

Cover Reinforcement

All anti-theft Quazite® covers contain additional composite reinforcement to prevent the cover from crumbling under sledge-hammer blows.

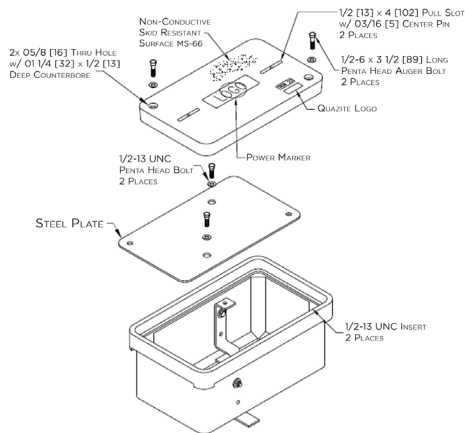
Locking Options

Both LokBox® and SteelStop™ enclosures come with penta head bolts, but for additional security, you can add our keyed LockDown-LockDry cover bolts. Additional charges apply.

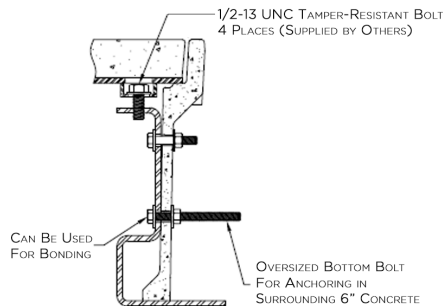


SteelStop™ Enclosure Assemblies

DESCRIPTION	DEPTH (in)	TIER	DESIGN/TEST LOAD #	WEIGHT (lbs)	PALLET QTY	PART NO.
11x18 SteelStop Assy	12 18	22	22,500/33,750	79	30	PG1118Z858***
				103	24	PG1118Z845***
13x24 SteelStop Assy	12 18 24	22	22,500/33,750	116	12	PG1324Z861***
				142	12	PG1324Z854***
17x30 SteelStop Assy	12 18 24	22	22,500/33,750	168	10	PG1730Z898***
				208	8	PG1730Z899***
				234	6	PG1730Z900***



NOTE: Part numbers do not include a power marker, but a marker can be added if needed.



BOLT-DOWN DETAIL

SteelStop™ Enclosure Retrofit Kits

DESCRIPTION	COVER TIER	DESIGN/TEST LOAD #	WEIGHT (lbs)	PALLET QTY	PART NO.
11x18 to 17x30 sizes available	22	22,500/33,750	TBD	TBD	Please Call With Your Specific Needs
Retrofit Template	N/A	N/A-Fits 13x24	5	Varies	C082948

NOTE: Retrofit kit includes two Z-brackets, a SteelStop cover, a composite reinforced Quazite cover, a template, and hardware.