

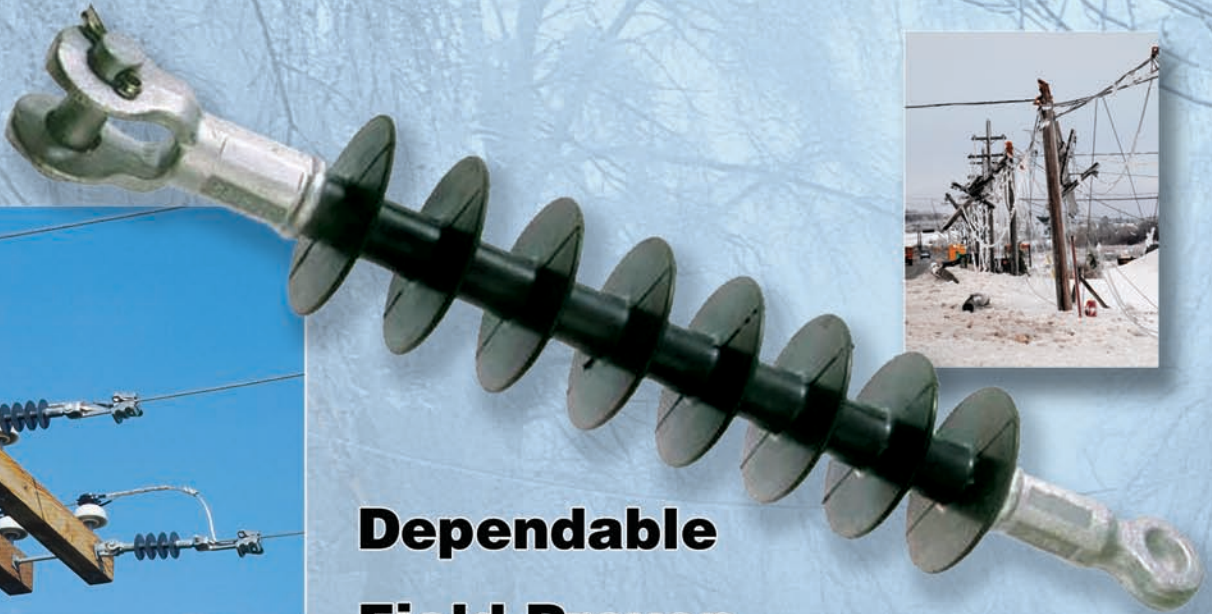


POWER SYSTEMS, INC.

**OHIO BRASS**

# PDI

## Polymer Deadend Insulators



**Dependable  
Field Proven  
IN STOCK**

**Over 17 Million Parts Installed**

Type	Catalog Number	Voltage Class	Std Package Qty Pallet
PDI 15	4010150215	15 kV	480*
PDI 28	4010280215	25 kV	360*
PDI 25	4010250215	25/35 kV	360*
PDI 35	4010350215	35 kV	300*

\* Packaged 15 parts per carton

[www.hubbellpowersystems.com](http://www.hubbellpowersystems.com) 1-573-682-5521

e-mail: [hpsliterature@hps.hubbell.com](mailto:hpsliterature@hps.hubbell.com)

**BUSHINGS • CONSTRUCTION • INSULATION • PROTECTION • SWITCHING • TOOLS**

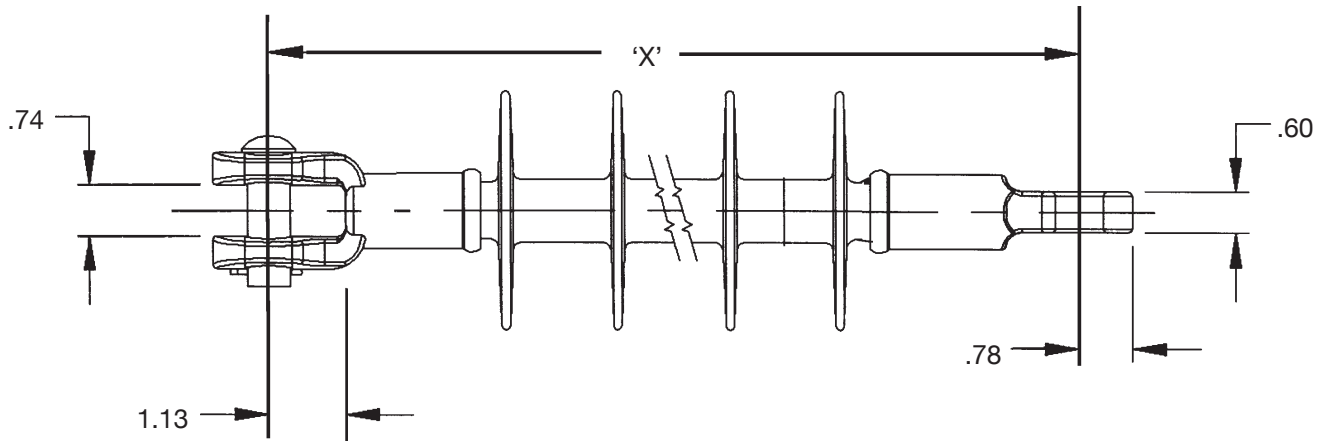
NOTE: Because Hubbell has a policy of continuous product improvement, we reserve the right to change design and specifications without notice.

© Copyright 2008 Hubbell Power Systems

Bulletin EU 1570

# PDI

## Polymer Deadend Insulators



**Mechanical/Electrical Characteristics**

Catalog Numbers	"X" Length inches (mm)	Net Wt. pounds (kg)	Leakage Distance Inches (mm)	Flashover ANSI - kV		Critical Flashover ANSI	
				Dry-kV	Wet-kV	Pos-kV	Neg-kV
4010150215	12.50 (318)	2.1 (.95)	16 (406)	110	75	140	160
4010156215	12.50 (318)	2.1 (.95)	16 (406)	110	75	140	160
4010280215	17.50 (445)	2.4 (1.1)	26 (660)	130	110	200	225
4010286215	17.50 (445)	2.4 (1.1)	26 (660)	130	110	200	225
4010250215	18.75 (475)	2.8 (1.3)	31 (787)	150	130	260	280
4010256215	18.75 (475)	2.8 (1.3)	31 (787)	150	130	260	280
4010350215	25.00 (635)	3.3 (1.5)	33 (838)	200	160	325	360