



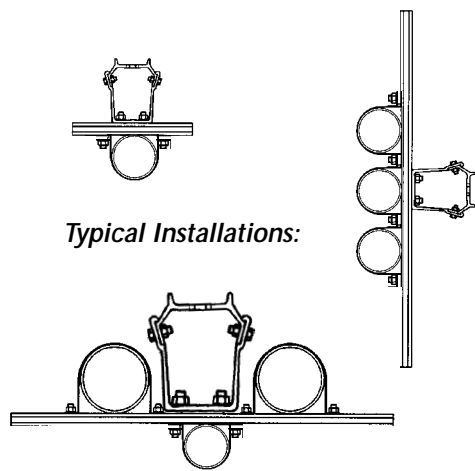
**POWER
SYSTEMS, INC.**

PRODUCT

of the Month

<http://www.hubbellpowersystems.com>

Meet Our Growing Family



Typical Installations:



Hubbell aluminum conduit standoffs adjust to your field requirements: Use in down-the-pole applications.

Our product family should have just the size and arrangement you need. Available for sizes from 1 through 3-1/2 inches in 1/2-inch increments plus 4, 5 and 6-inch diameters. Each strap comes with a pair of bolts, lockwashers and nuts.

As many as four 6" conduits may be mounted on one of the six standard stock numbers. Each combines a bracket (6" or 9") and 4-way T-slot (12", 24 or 36" length).

Custom 4 and 2-way sizes available. Mount without drilling. Simple assembly. Total adjustability.

<http://www.hubbellpowersystems.com>

Hubbell Power Systems, Inc.

ANDERSON CHANCE® FARGO® HUBBELL® OHIO/BRASS®

Contact your nearest Hubbell office . . .

UNITED STATES • 210 N. Allen • Centralia, Mo 65240 • Phone: 573-682-5521 • Fax: 573-682-8714 • e-mail: vjengle@hps.hubbell.com

CANADA • 870 Brock Road South • Pickering, Ontario L1W 1Z8 • Phone: 905-839-1138 • Fax: 905-831-6353 • e-mail: jpearl@hubbell-canada.com

MEXICO • Av. Coyoacan No. 1051 • Col. Del Valle • 03100 Mexico, D.F. • Phone: 525-575-2022 • Fax: 525-559-8626 • e-mail: vtasdf@hubbell.com.mx

EUROPE • Ronald Close, Woburn Rd. Indust. Estate • Kempston, Bedford • MK42 7SH, England • Phone: 44-1-234-843632 • Fax: 44-1-234-841435 • e-mail: jabhub@aol.com

ASIA • 159 Sin Ming Road • #05-08-Amtech Building • Singapore 575625 • Phone: 65-4544772 • Fax: 65-4544775 • e-mail: sajeev@hubbell.com.sg