

Aluminum Products Cross Reference



Cabinet Mounting Bracket



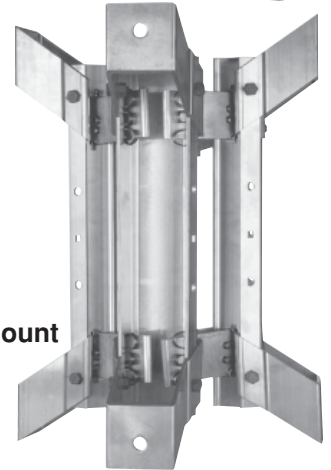
Cable Positioner



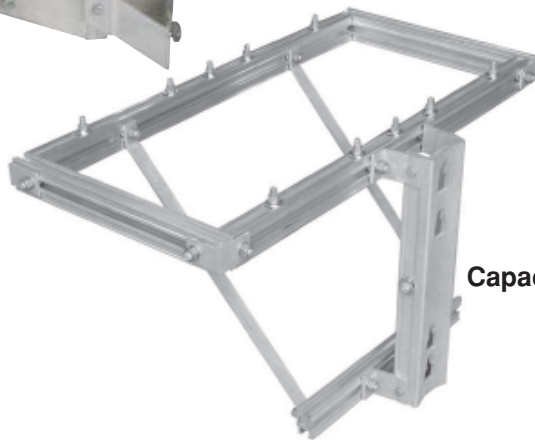
Thru-Bolt Single Position Mount



Wing-Type Cluster Mount



Banded-Type Cluster Mount



Capacitor Rack



Conduit Bracket
Conduit Straps
T-Slots



Equipment Platform



POWER SYSTEMS, INC. 210 North Allen • Centralia, Missouri 65240 • Phone: 573-682-5521

NOTE: Because Hubbell has a policy of continuous product improvement, we reserve the right to change design and specifications without notice.

© Copyright 2003 Hubbell Power Systems

Bulletin 05-2101
Rev. 7/03

This cross reference is intended as a guide only. Each listing, in our opinion, reflects the Hubbell Power Systems catalog number that is most nearly equivalent to that of the listed supplier. Since designs change, we suggest a close comparison of catalog data before purchasing.

Hubbell Power Systems, Inc. assumes no liability for any misapplication, purchase or error in using this cross reference.

Some catalog numbers of Hubbell Power Systems shown in this cross reference may not be listed in the Hubbell Power Systems catalog. If you are unable to locate a number in the Hubbell Power Systems catalog, consult your Hubbell Power Systems representative.

Aluminum Products Cross Reference

Table of Contents

Aluma-Form vs. Hubbell Power Systems	Pages 4-5
Barfield vs. Hubbell Power Systems	Page 6
Previous Chance vs. Current Hubbell Power Systems	Page 7

Cross-Reference — Aluma-Form vs. Hubbell Power Systems

Aluma-Form SKU	HPS SKU	Description
1PA	C1PA	Bracket, Terminator-Arrester
10M2-6	C10M2-6	Banded-Type Cluster Mount
10M2-9	C10M2-9	Banded-Type Cluster Mount
11MW-24-L	C11MW-24-L	Wing-Type Cluster Mount
15M3-6	C15M3-6	Banded-Type Cluster Mount
15M3-6-14-36	C15M3-6-14-36	Banded-Type Cluster Mount
15M3-9	C15M3-9	Banded-Type Cluster Mount
15M3-9-14-36	C15M3-9-14-36	Banded-Type Cluster Mount
15M3-969	C15M3-969	Banded-Type Cluster Mount
2EHD2P2CAL-14	CPSEHD-142-2WKY	Platform (Factory-Assembled)
2EHD2P2CAL-16	CPSEHD-162-2WKY	Platform (Factory-Assembled)
2EHD2P2CAL-18	CPSEHD-182-2WKY	Platform (Factory-Assembled)
2EHD2P2CAL-20	CPSEHD-202-2WKY	Platform (Factory-Assembled)
2EHD2P2CAL-22	CPSEHD-222-2WKY	Platform (Factory-Assembled)
2EHD2PAL-14	CPSEHD-142	Platform (Factory-Assembled)
2EHD2PAL-16	CPSEHD-162	Platform (Factory-Assembled)
2EHD2PAL-18	CPSEHD-182	Platform (Factory-Assembled)
2EHD2PAL-20	CPSEHD-202	Platform (Factory-Assembled)
2EHD2PAL-22	CPSEHD-222	Platform (Factory-Assembled)
2EHD2PCAL-14	CPSEHD-142-WKY	Platform (Factory-Assembled)
2EHD2PCAL-16	CPSEHD-162-WKY	Platform (Factory-Assembled)
2EHD2PCAL-18	CPSEHD-182-WKY	Platform (Factory-Assembled)
2EHD2PCAL-20	CPSEHD-202-WKY	Platform (Factory-Assembled)
2EHD2PCAL-22	CPSEHD-222-WKY	Platform (Factory-Assembled)
2M1-6M	C2M1-6M	Banded-Type Cluster Mount
2M1-9M	C2M1-9M	Banded-Type Cluster Mount
2PA	C2PA	Bracket, Terminator-Arrester
2P2CAL-12	CP122-2WKY	Platform (Factory-Assembled)
2P2CAL-14	CP142-2WKY	Platform (Factory-Assembled)
2P2CAL-16	CP162-2WKY	Platform (Factory-Assembled)
2PAL-12	CP-122	Platform (Factory-Assembled)
2PAL-14	CP-142	Platform (Factory-Assembled)
2PAL-16	CP-162	Platform (Factory-Assembled)
2PCAL-12	CP122-WKY	Platform (Factory-Assembled)
2PCAL-14	CP142-WKY	Platform (Factory-Assembled)
2PCAL-16	CP162-WKY	Platform (Factory-Assembled)
2WT-12	C2WT-12	T-Slot, 2 Way
2WT-120	C2WT-120	T-Slot, 2 Way
2WT-24	C2WT-24	T-Slot, 2 Way
2WT-36	C2WT-36	T-Slot, 2 Way
2WT-48	C2WT-48	T-Slot, 2 Way
2WT-60	C2WT-60	T-Slot, 2 Way
30036	C30036	Locking Clips for Banded Cluster
321A	C321A	Adapter Plate for C Lugs
3MW-24-M-L	C3MW-24-M-L	Wing-Type Cluster Mount
3P2CAL-12	CP123-2WKY	Platform (Factory-Assembled)
3P2CAL-14	CP143-2WKY	Platform (Factory-Assembled)
3P2CAL-16	CP163-2WKY	Platform (Factory-Assembled)
3PA	C3PA	Bracket, Terminator-Arrester
3PAL-12	CP-123	Platform (Factory-Assembled)
3PAL-14	CP-143	Platform (Factory-Assembled)
3PAL-16	CP-163	Platform (Factory-Assembled)
3PCAL-12	CP-123-WKY	Platform (Factory-Assembled)
3PCAL-14	CP-143-WKY	Platform (Factory-Assembled)
3PCAL-16	CP-163-WKY	Platform (Factory-Assembled)
4M2-6	C4M2-6	Banded-Type Cluster Mount
4M2-9	C4M2-9	Banded-Type Cluster Mount
4WT-12	C4WT-12	T-Slot, 4 Way
4WT-120	C4WT-120	T-Slot, 4 Way
4WT-24	C4WT-24	T-Slot, 4 Way
4WT-36	C4WT-36	T-Slot, 4 Way
4WT-48	C4WT-48	T-Slot, 4 Way
4WT-60	C4WT-60	T-Slot, 4 Way
5M1-6	C5M1-6	Banded-Type Cluster Mount
5M1-9	C5M1-9	Banded-Type Cluster Mount
6-CSO	C6-CSO	Conduit Standoff Bracket
6-CSO-12	C6-CSO-12	Conduit Standoff Bracket with 4 Way T-Slot
6-CSO-24	C6-CSO-24	Conduit Standoff Bracket with 4 Way T-Slot

Cross-Reference — Aluma-Form vs. Hubbell Power Systems

Aluma-Form SKU	HPS SKU	Description
6-CSO-36	C6-CSO-36	Conduit Standoff Bracket with 4 Way T-Slot
6M3-6	C6M3-6	Banded-Type Cluster Mount
6M3-6M	C6M3-6M	Banded-Type Cluster Mount
6M3-9	C6M3-9	Banded-Type Cluster Mount
6M3-969	C6M3-969	Banded-Type Cluster Mount
6PA	C6PA	Bracket, Terminator-Arrester
9-CSO	C9-CSO	Conduit Standoff Bracket
9-CSO-12	C9-CSO-12	Conduit Standoff Bracket with 4 Way T-Slot
9-CSO-124	C9-CSO-124	Conduit Standoff Bracket with 4 Way T-Slot
9-CSO-36	C9-CSO-36	Conduit Standoff Bracket with 4 Way T-Slot
CMB-12-18	CCMB-12-18	Cabinet Mounting Bracket
CMB-16-24	CCMB-16-24	Cabinet Mounting Bracket
CMB-18-30	CCMB-18-30	Cabinet Mounting Bracket
CMB-8-12	CCMB-8-12	Cabinet Mounting Bracket
CMB-8-18	CCMB-8-18	Cabinet Mounting Bracket
CR-1	CCR-1	Capacitor Rack
CR-3	CCR-3	Capacitor Rack
CR-3/4	CCR-3/4	Capacitor Rack
CR-6	CCR-6	Capacitor Rack
CR-9/12	CCR-9/12	Capacitor Rack
CS-820	CCS-820	Cable Positioner
EHD2P2CAL-14	CPEHD-142-2WKY	Platform (Factory-Assembled)
EHD2P2CAL-16	CPEHD-162-2WKY	Platform (Factory-Assembled)
EHD2P2CAL-18	CPEHD-182-2WKY	Platform (Factory-Assembled)
EHD2P2CAL-20	CPEHD-202-2WKY	Platform (Factory-Assembled)
EHD2P2CAL-22	CPEHD-222-2WKY	Platform (Factory-Assembled)
EHD2PAL-14	CPEHD-142	Platform (Factory-Assembled)
EHD2PAL-16	CPEHD-162	Platform (Factory-Assembled)
EHD2PAL-18	CPEHD-182	Platform (Factory-Assembled)
EHD2PAL-20	CPEHD-202	Platform (Factory-Assembled)
EHD2PAL-22	CPEHD-222	Platform (Factory-Assembled)
EHD2PCAL-14	CPEHD-142-WKY	Platform (Factory-Assembled)
EHD2PCAL-16	CPEHD-162-WKY	Platform (Factory-Assembled)
EHD2PCAL-18	CPEHD-182-WKY	Platform (Factory-Assembled)
EHD2PCAL-20	CPEHD-202-WKY	Platform (Factory-Assembled)
EHD2PCAL-22	CPEHD-222-WKY	Platform (Factory-Assembled)
EP-18	CEP-18	Extension Plate for Banded Cluster Mounts
HD2P2CAL-14	CPHD-142-2WKY	Platform (Factory-Assembled)
HD2P2CAL-16	CPHD-162-2WKY	Platform (Factory-Assembled)
HD2P2CAL-18	CPHD-182-2WKY	Platform (Factory-Assembled)
HD2PAL-14	CPHD-142	Platform (Factory-Assembled)
HD2PAL-16	CPHD-162	Platform (Factory-Assembled)
HD2PAL-18	CPHD-182	Platform (Factory-Assembled)
HD2PCAL-14	CPHD-142-WKY	Platform (Factory-Assembled)
HD2PCAL-16	CPHD-162-WKY	Platform (Factory-Assembled)
HD2PCAL-18	CPHD-182-WKY	Platform (Factory-Assembled)
S2PAL-2-6	CP-62	Platform (Factory-Assembled)
S2PAL-2-8	CP-82	Platform (Factory-Assembled)
S2PAL-4-6	CP-64	Platform (Factory-Assembled)
S2PAL-4-8	CP-84	Platform (Factory-Assembled)
STK1	CSTK1	Conduit Strap with Bolts
STK1.5	CSTK1.5	Conduit Strap with Bolts
STK2	CSTK2	Conduit Strap with Bolts
STK2.5	CSTK2.5	Conduit Strap with Bolts
STK3	CSTK3	Conduit Strap with Bolts
STK3.5	CSTK3.5	Conduit Strap with Bolts
STK4	CSTK4	Conduit Strap with Bolts
STK5	CSTK5	Conduit Strap with Bolts
STK6	CSTK6	Conduit Strap with Bolts
TB-EMB-1	CTB-EMB-1	Bracket Equipment
TB-EMB-1-3PA	CTB-EMB-1-3PA	Bracket, Terminator-Arrester
TB-EMB-1-3PA-35	CTB-EMB-1-3PA35	Bracket, Terminator-Arrester
TB-EMB-1-6PA	CTB-EMB-1-6PA	Bracket, Terminator-Arrester
TB-EMB-1-6PA-35	CTB-EMB-1-6PA35	Bracket, Terminator-Arrester
TB2M1-6	CTB2M1-6	Thru-Bolt Single Position Mount
TB2M1-9	CTB2M1-9	Thru-Bolt Single Position Mount
TB5M1-6	CTB5M1-6	Thru-Bolt Single Position Mount
TB5M1-9	CTB5M1-9	Thru-Bolt Single Position Mount

Cross-Reference — Barfield vs. Hubbell Power Systems

Barfield SKU	HPS SKU	Description
BP-122-WKY	CP-122-WKY	Platform (Factory-Assembled)
BP-123	CP-123	Platform (Factory-Assembled)
BP-123-2WKY	CP-123-2WKY	Platform (Factory-Assembled)
BP-123-WKY	CP-123-WKY	Platform (Factory-Assembled)
BP-142-WKY	CP-142-WKY	Platform (Factory-Assembled)
BP-143	CP-143	Platform (Factory-Assembled)
BP-143-2WKY	CP-143-2WKY	Platform (Factory-Assembled)
BP-143-WKY	CP-143-WKY	Platform (Factory-Assembled)
BP-162-WKY	CP-162-WKY	Platform (Factory-Assembled)
BP-163	CP-163	Platform (Factory-Assembled)
BP-163-2WKY	CP-163-2WKY	Platform (Factory-Assembled)
BP-163-WKY	CP-163-WKY	Platform (Factory-Assembled)
BP-62	CP-62	Platform (Factory-Assembled)
BP-64	CP-64	Platform (Factory-Assembled)
BP-82	CP-82	Platform (Factory-Assembled)
BP-84	CP-84	Platform (Factory-Assembled)
BPEHD-142	CPEHD-142	Platform (Factory-Assembled)
BPEHD-142-2WKY	CPEHD-142-2WKY	Platform (Factory-Assembled)
BPEHD-142-WKY	CPEHD-142-WKY	Platform (Factory-Assembled)
BPEHD-162	CPEHD-162	Platform (Factory-Assembled)
BPEHD-162-2WKY	CPEHD-162-2WKY	Platform (Factory-Assembled)
BPEHD-162-WKY	CPEHD-162-WKY	Platform (Factory-Assembled)
BPEHD-182	CPEHD-182	Platform (Factory-Assembled)
BPEHD-182-2WKY	CPEHD-182-2WKY	Platform (Factory-Assembled)
BPEHD-182-WKY	CPEHD-182-WKY	Platform (Factory-Assembled)
BPEHD-202	CPEHD-202	Platform (Factory-Assembled)
BPEHD-202-2WKY	CPEHD-202-2WKY	Platform (Factory-Assembled)
BPEHD-202-WKY	CPEHD-202-WKY	Platform (Factory-Assembled)
BPEHD-222	CPEHD-222	Platform (Factory-Assembled)
BPEHD-222-2WKY	CPEHD-222-2WKY	Platform (Factory-Assembled)
BPEHD-222-WKY	CPEHD-222-WKY	Platform (Factory-Assembled)
BPHD-142	CPHD-142	Platform (Factory-Assembled)
BPHD-142-2WKY	CPHD-142-2WKY	Platform (Factory-Assembled)
BPHD-142-WKY	CPHD-142-WKY	Platform (Factory-Assembled)
BPHD-162	CPHD-162	Platform (Factory-Assembled)
BPHD-162-2WKY	CPHD-162-2WKY	Platform (Factory-Assembled)
BPHD-162-WKY	CPHD-162-WKY	Platform (Factory-Assembled)
BPHD-182	CPHD-182	Platform (Factory-Assembled)
BPHD-182-2WKY	CPHD-182-2WKY	Platform (Factory-Assembled)
BPHD-182-WKY	CPHD-182-WKY	Platform (Factory-Assembled)
BPSEHD-142	CPSEHD-142	Platform (Factory-Assembled)
BPSEHD-142-2WKY	CPSEHD-142-2WKY	Platform (Factory-Assembled)
BPSEHD-142-WKY	CPSEHD-142-WKY	Platform (Factory-Assembled)
BPSEHD-162	CPSEHD-162	Platform (Factory-Assembled)
BPSEHD-162-2WKY	CPSEHD-162-2WKY	Platform (Factory-Assembled)
BPSEHD-162-WKY	CPSEHD-162-WKY	Platform (Factory-Assembled)
BPSEHD-182	CPSEHD-182	Platform (Factory-Assembled)
BPSEHD-182-2WKY	CPSEHD-182-2WKY	Platform (Factory-Assembled)
BPSEHD-182-WKY	CPSEHD-182-WKY	Platform (Factory-Assembled)
BPSEHD-202	CPSEHD-202	Platform (Factory-Assembled)
BPSEHD-202-2WKY	CPSEHD-202-2WKY	Platform (Factory-Assembled)
BPSEHD-202-WKY	CPSEHD-202-WKY	Platform (Factory-Assembled)
BPSEHD-222	CPSEHD-222	Platform (Factory-Assembled)
BPSEHD-222-2WKY	CPSEHD-222-2WKY	Platform (Factory-Assembled)
BPSEHD-222-WKY	CPSEHD-222-WKY	Platform (Factory-Assembled)

Cross-Reference — Old vs. New Aluminum Products

Previous Chance SKU	Current HPS SKU	Description
C212-0200	CEP-18	Extension Plate for Banded Cluster Mounts
C212-8001	C2M1-6M	Banded-Type Cluster Mount
C212-8002	C4M2-6	Banded-Type Cluster Mount
C212-8003	C6M3-6	Banded-Type Cluster Mount
C212-8004	C5M1-6	Banded-Type Cluster Mount
C212-8005	C10M2-6	Banded-Type Cluster Mount
C212-8006	C15M3-6	Banded-Type Cluster Mount
C212-8007	C11MW-24-L	
C212-8007A	C11MW-24-L	Wing-Type Cluster Mount
C212-8007AB	C11MW-24-L	Wing-Type Cluster Mount
C212-8007B	C11MW-24-L	Wing-Type Cluster Mount
C212-8008	C2M1-9M	Banded-Type Cluster Mount
C212-8009	C4M2-9	Banded-Type Cluster Mount
C212-8010	C6M3-9	Banded-Type Cluster Mount
C212-8011	C6M3-6M	Banded-Type Cluster Mount
C212-8012	C6M3-969	Banded-Type Cluster Mount
C212-8013	C5M1-9	Banded-Type Cluster Mount
C212-8014	C10M2-9	Banded-Type Cluster Mount
C212-8015	C15M3-9	Banded-Type Cluster Mount
C212-8016	C15M3-969	Banded-Type Cluster Mount
C212-8017	C6M3-9M	Banded-Type Cluster Mount



POWER SYSTEMS, INC.



WORLDWIDE LOCATIONS

**Web: <http://www.hubbellpowersystems.com>
E-mail: hpsliterature@hps.hubbell.com**

UNITED STATES

HUBBELL POWER SYSTEMS, INC.
210 N. Allen
Centralia, Mo 65240-1395
Phone: 573-682-5521
Fax: 573-682-8714
e-mail: hpscontact@hps.hubbell.com

CANADA

HUBBELL CANADA, INC.
870 Brock Road South
Pickering, Ontario L1W 1Z8
Phone: 905-839-1138
Fax: 905-831-6353
e-mail: infohps@hubbellonline.com

MEXICO

HUBBELL DE MEXICO, S.A. DE. CV
Av. Coyoacan No. 1051
Col. Del Valle
03100 Mexico, D.F.
Phone: 52-55-9151-9999
Fax: 52-55-9151-9988
e-mail: vtasdf@hubbell.com.mx

ASIA

HUBBELL S.E. ASIA PTE. LTD.
23 Tagore Lane #03-16
Tagore 23 Warehouse
Singapore 787601
Phone: 65-6454-4772
Fax: 65-6454-4775
e-mail: hpscontact@hps.hubbell.com

ANDERSON™ CHANCE® FARGO® HUBBELL® OHIO/BRASS®